



LC200WP - Pivoting Wall Mount for Flat Screens up to 35lbs VESA 100mm & 200mm Mounting Patterns

The LC200WP attaches to small and medium size flat screens up to 35lbs with 100mm or 200mm mounting patterns. The pivot point at the wall and projection allow the monitor to be pivoted from left to right for adjustment both up and down $\pm 45^\circ$. Wood lag screws single wall stud.

Features:

Available in black and silver finishes

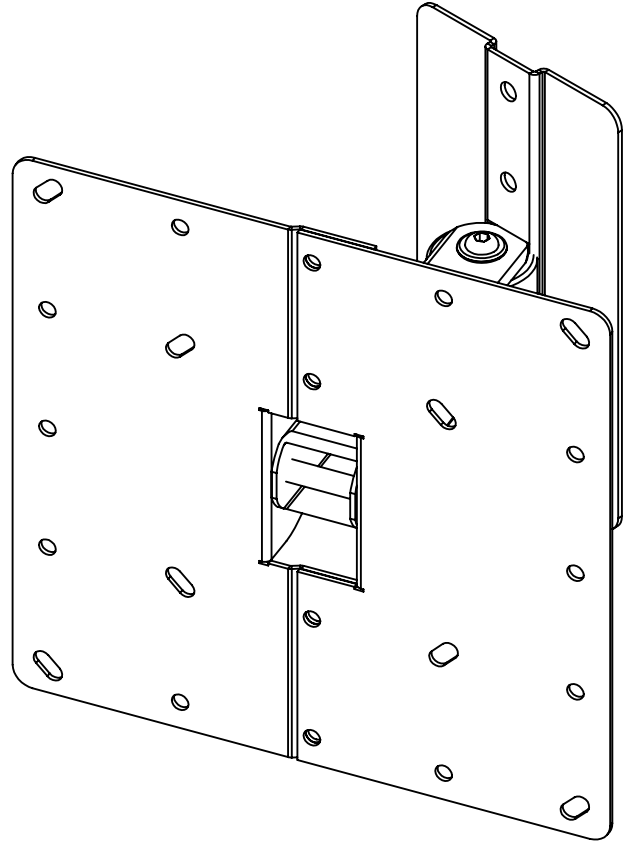
Fits up to 35lbs flat panel monitors

Universal mounting pattern fits 100mm & 200mm VESA compatible monitors

Pivots at the wall for left to right viewing angle adjustment

Tilts up and down up to $\pm 45^\circ$

4mm, 5mm & 6mm monitor attaching hardware screws and studs are included



Optional Accessories:

WMATB3 - Metal Stud Toggle Bolt Kit

WMAAB3 - Concrete Anchor Bolt Kit

LCDUWS - Security Screw Kit

LCAPDVD2 - Hanging DVD Mount

Maximum Load Limit:

35lbs (15.9kg)

Product Weight:

3.3lbs (1.5kg)

Shipping Weight:

8.5lbs (3.9kg) (2 per Box)

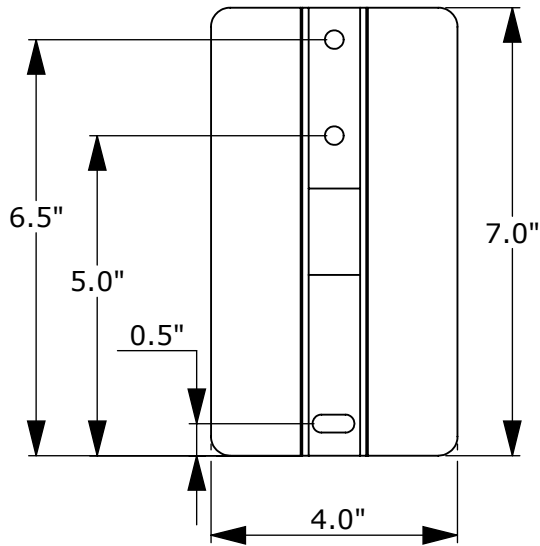
Carton Dimensions:

15"L x 12"W x 8"H (2 per Box)

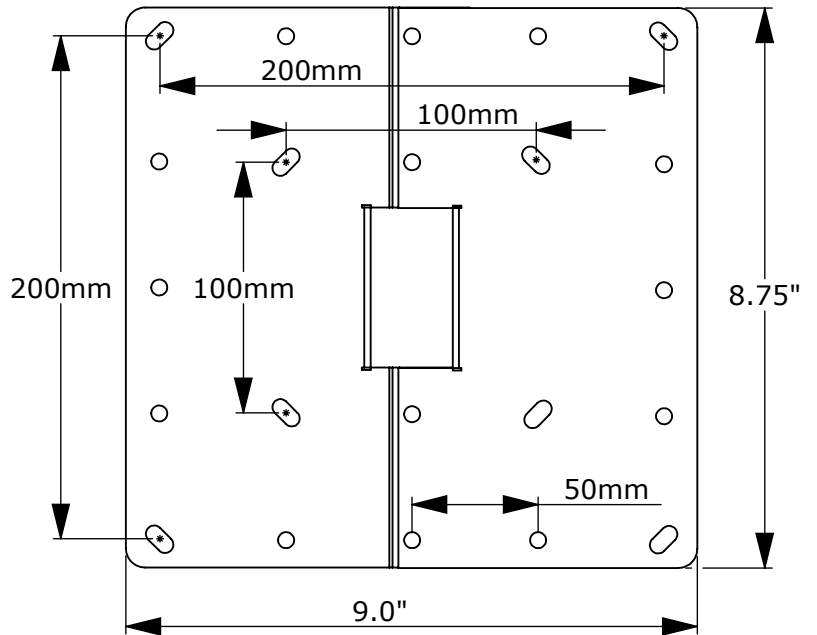
Architectural Specification: The Pivoting Wall Mount shall be Lucasey model LC200WP and shall be located where indicated on the plans. It shall feature monitor attaching plates included compatible with VESA 100mm and 200mm mounting patterns. Assembly and installation shall be done according to instructions provided by the manufacturer.



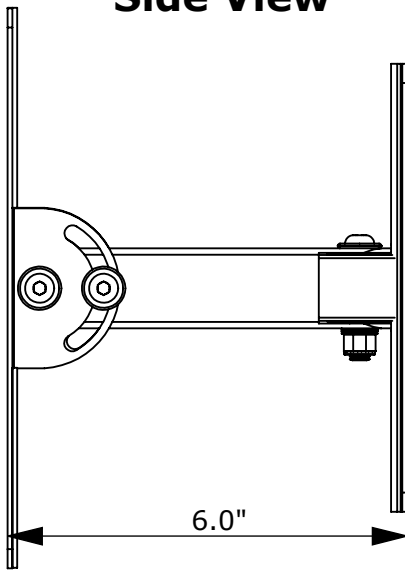
Wall Plate



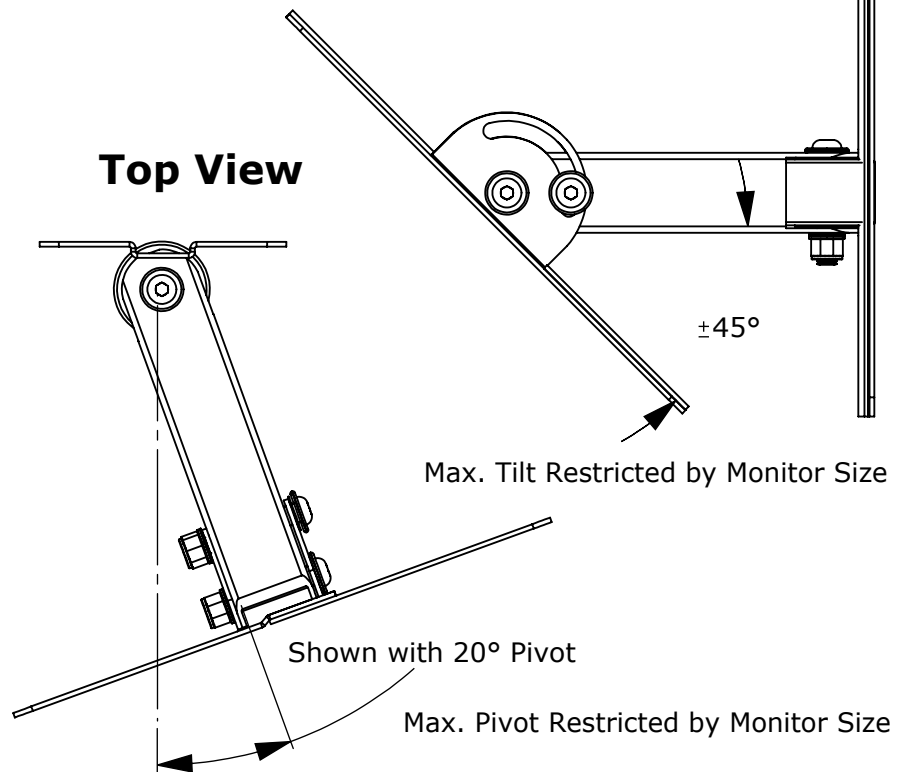
VESA Mounting Plate



Side View



Tilted Side View



Top View

