

**LC200WDA - Articulating Wall Mount for Flat Screens up to 65" with 200mm or 100mm Mounting Patterns**

The LC200WDA attaches to 20"-65" flat screens weighing up to 35lbs with 200mm or 100mm mounting patterns. The triple pivot points at the wall, at the double arm joint and behind the monitor allow the monitor to be articulated out from the wall and pivoted from left to right for the optimum viewing angle. The mount allows for tilt both up and down  $\pm 45^\circ$ . Wood lag screws are provided for quick and easy installation into a single wall stud.

**Features:**

Durable baked on black powder coat finish

Fits 20"-65" flat screens up to 35lbs

Fits 200mm x 200mm, 200mm x 100mm & 100mm x 100mm VESA<sup>®</sup> mounting patterns

Projects from 3-1/2" to 17" from the wall

Articulates into and out from the wall

Pivots behind monitor for left to right viewing angle adjustment

Tilts up and down up to  $\pm 45^\circ$

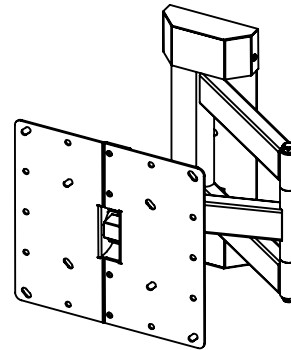
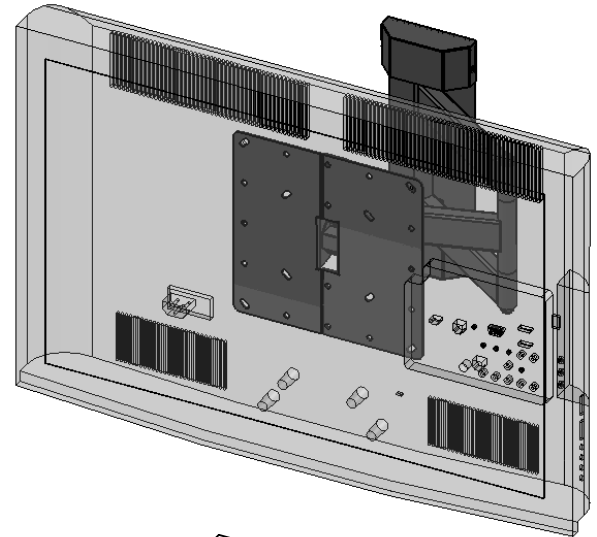
4mm, 5mm & 6mm monitor attaching hardware screws and studs are included

**Optional Accessories:**

WMATB3 - Metal Stud Toggle Bolt Kit

WMAAB3 - Concrete Anchor Bolt Kit

LCAPDVD - Hanging DVD Mount



LC200WDA QR Code  
Link to Web Page

**Maximum Load Limit:**

35lbs (15.9kg)

**Product Weight:**

8lbs (3.6kg)

**Shipping Weight:**

9lbs (4.1kg)

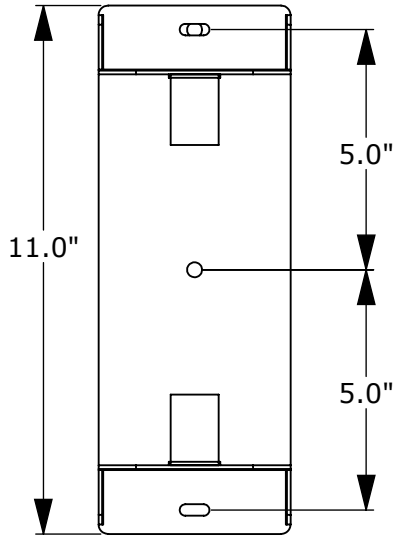
**Carton Dimensions:**

18"L x 12"W x 4"H

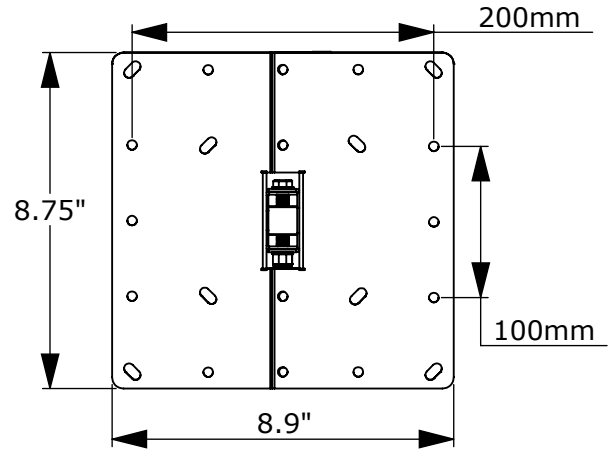
Architectural Specification: The Articulating Wall Mount shall be Lucasey model LC200WDA and shall be located where indicated on the plans. It shall feature monitor attaching plates included compatible with 200mm x 200mm x 200mm x 100mm or 100mm x 100mm VESA mounting patterns. Assembly and installation shall be done according to instructions provided by the manufacturer.



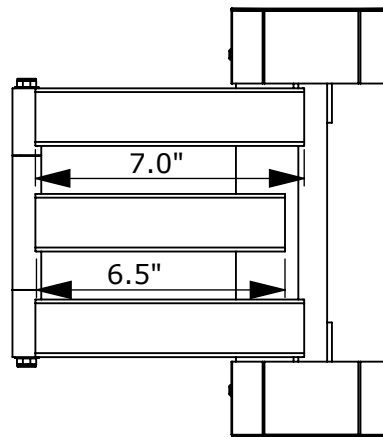
**Wall Plate**



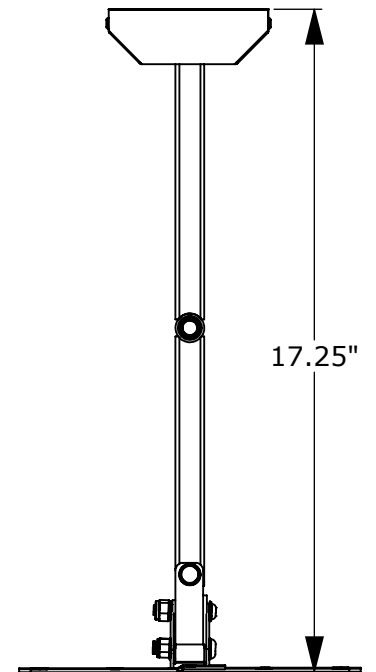
**VESA Plate**



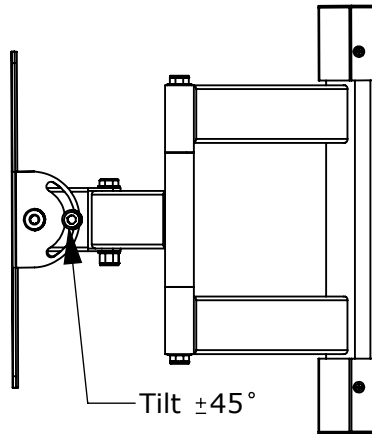
**Front View Collapsed  
no VESA Plate**



**Top View  
Extended**

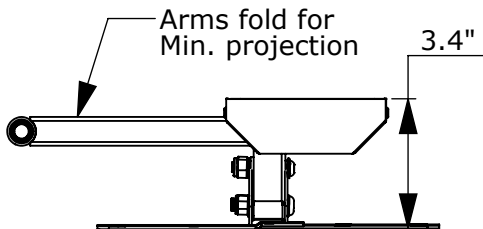


**Side View**



Pivot point at wall  
for articulation

**Top Views**



Pivot behind screen  
left or right up to  $90^\circ$

