



**LC200DS1 - Articulating Wall Mount with OSHPD Pre-approval for Flat Screens up to 65" weighing less than 60lbs with 200mm or 100mm VESA Mounting Patterns**

The LC200DS1 attaches to 20"-65" flat screens weighing up to 60lbs with 200mm x 200mm, 200mm x 100mm or 100mm x 100mm VESA mounting patterns. The pivot point at the wall and projection allow the monitor to be pivoted from left to right for the optimum viewing angle. The mount allows for tilt adjustment both up and down 45°. Wood lag screws and metal stud toggle bolts are provided for quick and easy installation into a wall with two studs 16" apart.

**Features:**

Durable gloss black baked on powder coat finish

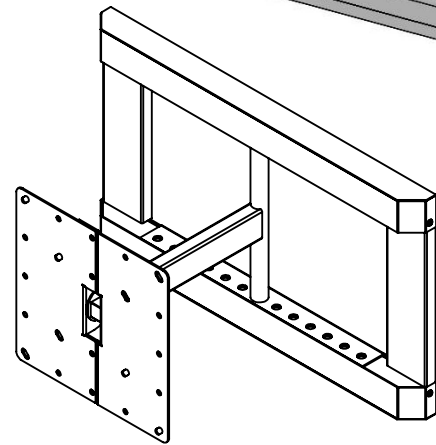
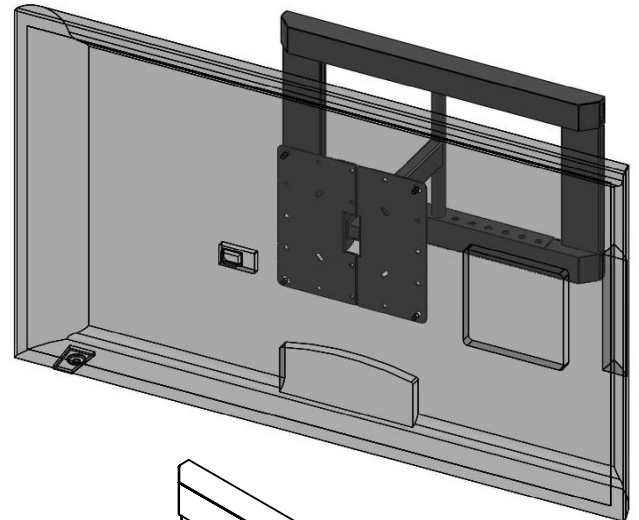
Fits flat screens from 20"-65" weighing up to 60 lbs. with 200mm x 200mm, 200mm x 100mm or 100mm x 100mm mounting patterns

Also fits flat panel monitors up to 55lbs. with 400mm mounting patterns using the additional LCAV4X4 adapter plate (Sold Separately)

Pivots at the wall and behind the monitor for left to right viewing angle adjustment and articulation from the wall

Tilts up and down up to 45°

4mm, 5mm & 6mm monitor attaching hardware screws and studs are included



LC200DS1 QR Code  
Link to Web Page

**Maximum Load Limit:**

60lbs (27.3kg)

**Product Weight:**

9.8lbs (4.5kg)

**Shipping Weight:**

11.2lbs (5.1kg)

**Carton Dimensions:**

23-3/4"L x 11-1/4"W x 4-1/2"H

**Optional Accessories:**

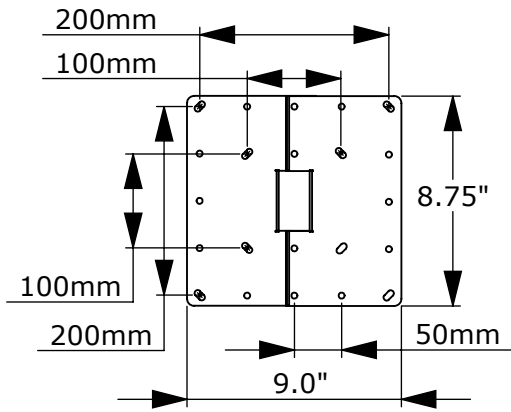
LCAPDVD - Hanging DVD Mount

LCAV4X4 - Adapter Plate for 400mm Mounting Patterns

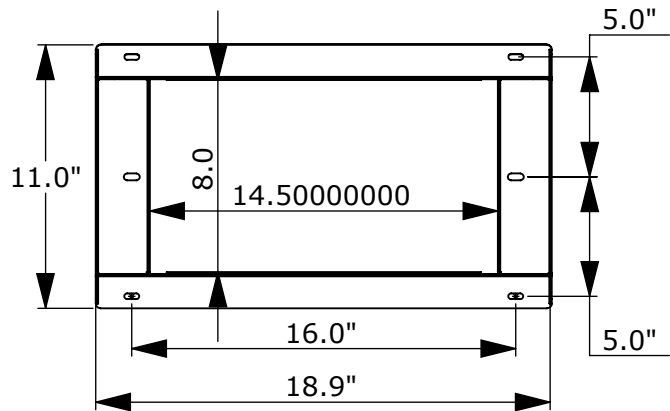
Architectural Specification: The Articulating Wall Mount shall be Lucasey model LC200DS1 and shall be located where indicated on the plans. It shall feature monitor attaching plates included compatible 200mm x 200mm, 200mm x 100mm or 100mm x 100mm mounting patterns (if needed an additional 400mm mounting plate can be purchased separately. Assembly and installation shall be done according to instructions provided by the manufacturer.



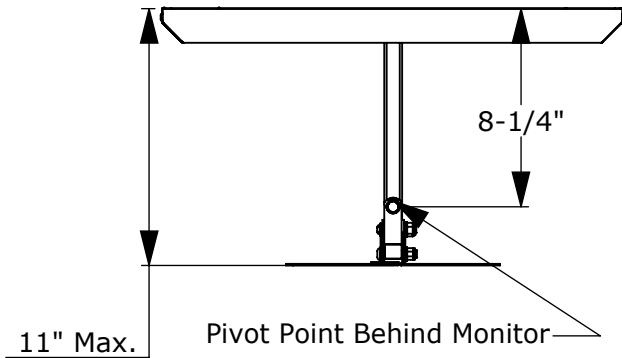
**VESA Mounting Plate**



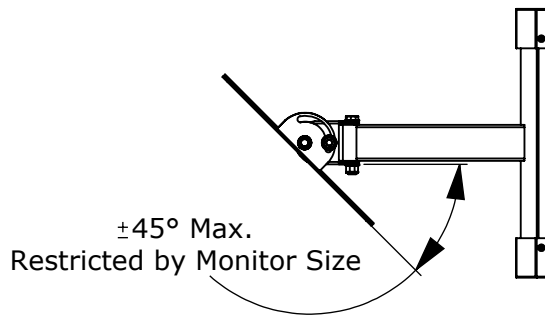
**Wall Mounting Plate**



**Top Views**



**Side View Tilted**



**Front View**

