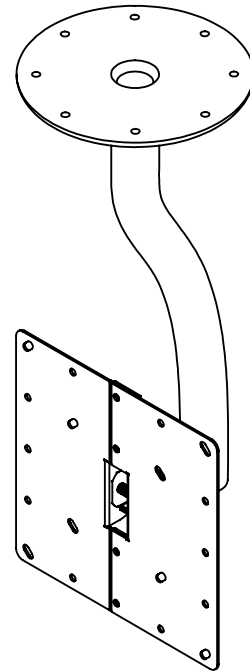




**LC200C9F**

Ceiling Mount for Flat Screens up to 50lbs  
VESA 100mm & 200mm Mounting Patterns

The LC200C9F ceiling mount attaches to small & medium flat screens up to 50lbs with 100mm or 200mm mounting patterns. The ceiling mount drops 16" from the ceiling to the centerline of the monitor with a curved pipe to keep the centerline of the monitor directly below the ceiling mounting point. The pivot point behind the monitor allows it to be pivoted from right to left up to 90° without moving the pipe. The mount tilts ±45°.



**Features:**

Available in black and silver finishes

Fits from up to 50lbs flat panel monitors

Universal mounting pattern fits 100mm x 100mm & 200mm x 200mm VESA compatible monitors

**Optional Accessories:**

CMAWCS8 - Countersunk Wood Lag Screw Kit

CMAABCS4 - Concrete Anchor Bolt Kit

CMAEF125 - Chrome eschutcheon flange to dress drops through false ceilings

CMAF125 - 1-1/4" I.D. Pipe cut to length threaded & powder coated for longer drops

CMAF125 - 1-1/4" I.D. pipe coupling to join extra lengths of pipe

**Maximum Load Limit:**

50lbs (22.7kg)

**Product Weight:**

10.5lbs (4.8kg)

**Shipping Weight:**

11.2lbs (5.1kg)

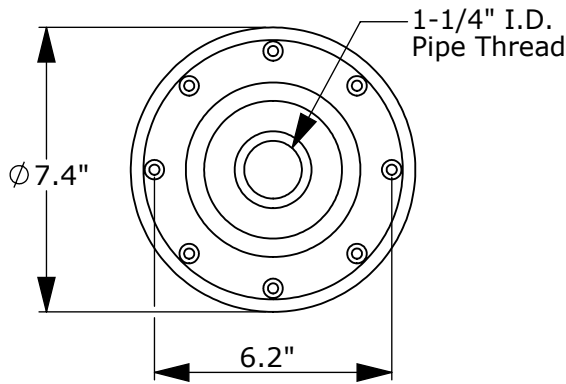
**Carton Dimensions:**

18"L x 10"W x 6-1/2"H

Architectural Specification: The Ceiling Mount shall be Lucasey model LC200C9F and shall be located where indicated on the plans. It shall feature monitor attaching plates included compatible with VESA 100mm and 200mm mounting patterns. Assembly and installation shall be done according to instructions provided by the manufacturer.



**Ceiling Flange**

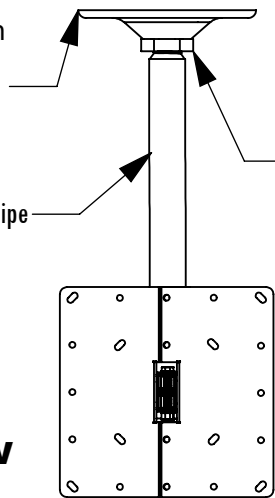


**Front View**

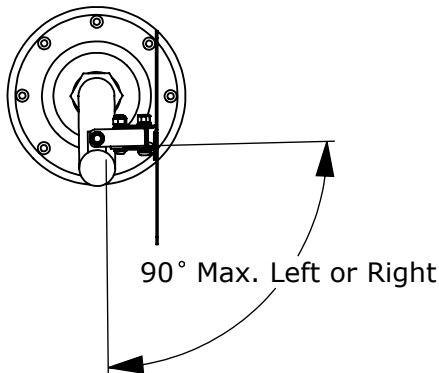
Round Flange with 1-1/4" I.D. NPT Pipe Threads

1" I.D. NPT Threaded Pipe

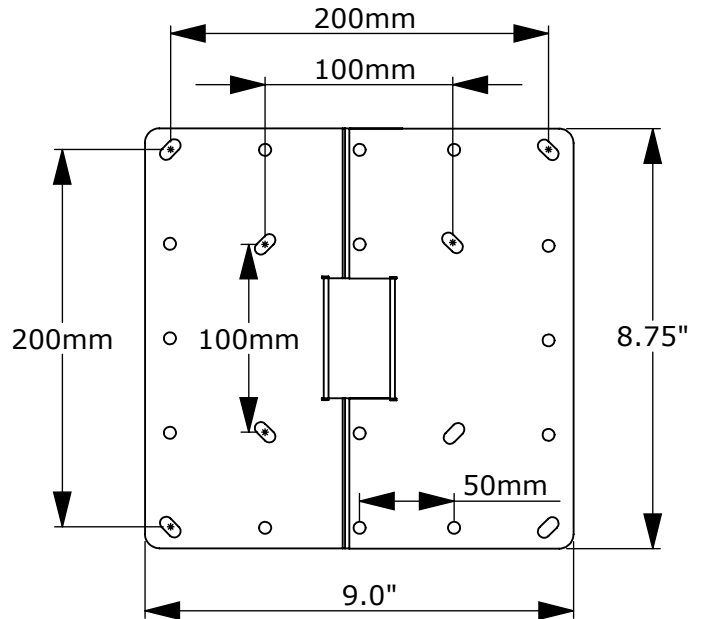
Hex Busing Reducer 1-1/4" I.D. NPT to 1" I.D. NPT



**Bottom View**



**VESA Mounting Plate**



**Side View**

