



LC200C Ceiling Mount for Flat Screens up to 50lbs
with 100mm or 200mm Mounting Patterns

The LC200C ceiling mount attaches to small & medium flat screens up to 50lbs with 100mm or 200mm mounting patterns. The ceiling mount drops from 20" to 35" from the ceiling to the centerline of the monitor. The mount tilts $\pm 45^\circ$. Wood lag screws are provided for solid wood beam installations with the provided ceiling flange.

Features:

Available in black and silver finishes

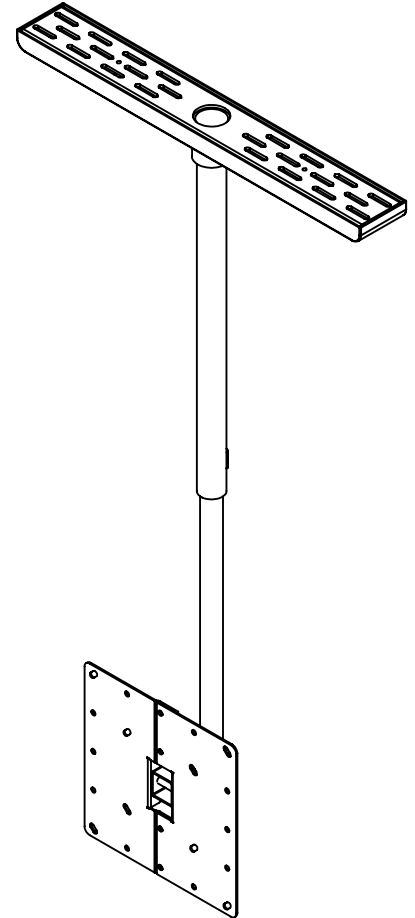
Fits flat screens up to 50lbs (9.1kg)

Universal mounting pattern fits 100mm x 100mm & 200mm x 200mm VESA compatible monitors

Telescoping pipe allows monitor drop from ceiling to be adjusted from 20" to 35"

Optional Accessories:

- CMAAB4 - Concrete Anchor Bolt Kit
- CMAEF100 - Chrome eschutcheon flange to dress drops through false ceilings
- CMAF100 - 1" I.D. Pipe cut to length threaded & powder coated for longer drops
- CMAF100 - 1" I.D. pipe coupling to join extra lengths of pipe



Maximum Load Limit:

50lbs (22.7kg)

Product Weight:

10.5lbs (4.8kg)

Shipping Weight:

11.2lbs (5.1kg)

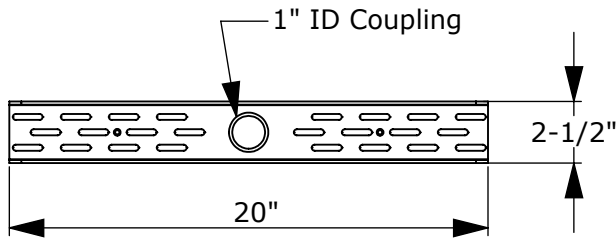
Carton Dimensions:

24"L x 6-1/2"W x 6-1/2"H

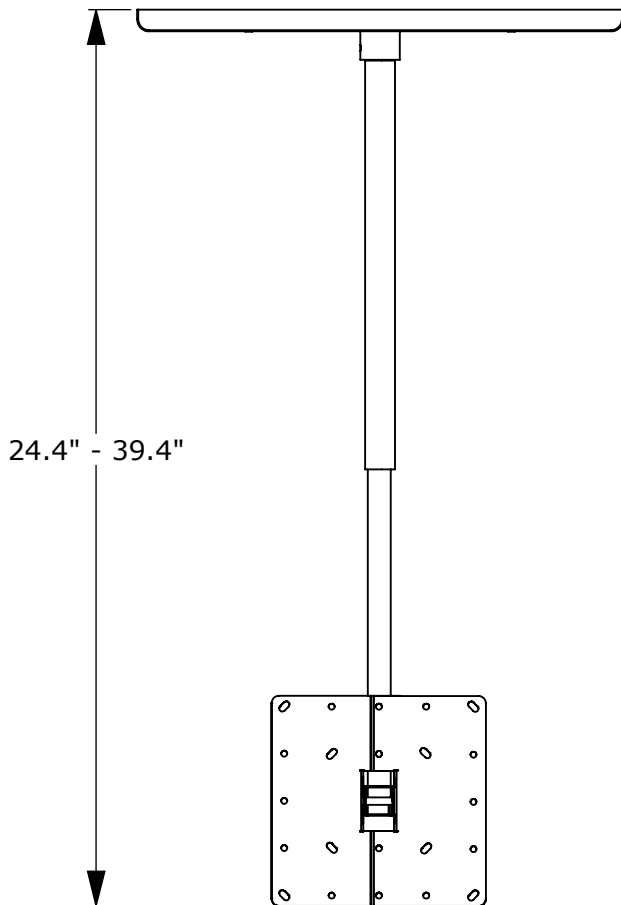
Architectural Specification: The Ceiling Mount shall be Lucasey model LC200C and shall be located where indicated on the plans. It shall feature monitor attaching plates included compatible with VESA 100mm and 200mm mounting patterns. Assembly and installation shall be done according to instructions provided by the manufacturer.



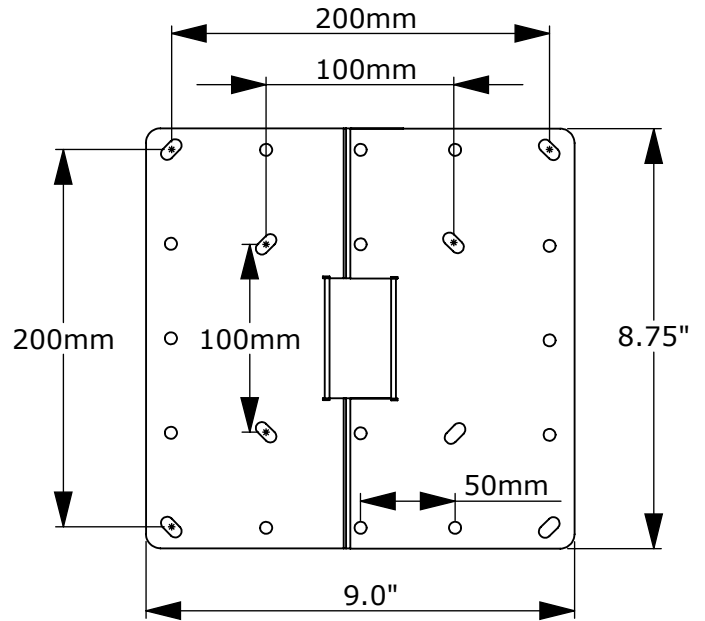
Ceiling Flange



Front View



VESA Mounting Plate



Side View

