



LC100WT - Tilting Security Wall Mount for 10"-40" Flat Screens up to 20lbs with 100mm or 75mm Mounting Patterns

The LC100WT attaches to 10"-40" flat screens up to 20lbs with 100mm x 100mm or 75mm x 75mm mounting patterns. The mount allows for tilt adjustment up to 10° while providing security for the monitor. Security screws on the side of the mount require a special security tool to release. The monitor attaching screws and screws into the wall are trapped between the two mounting plates.

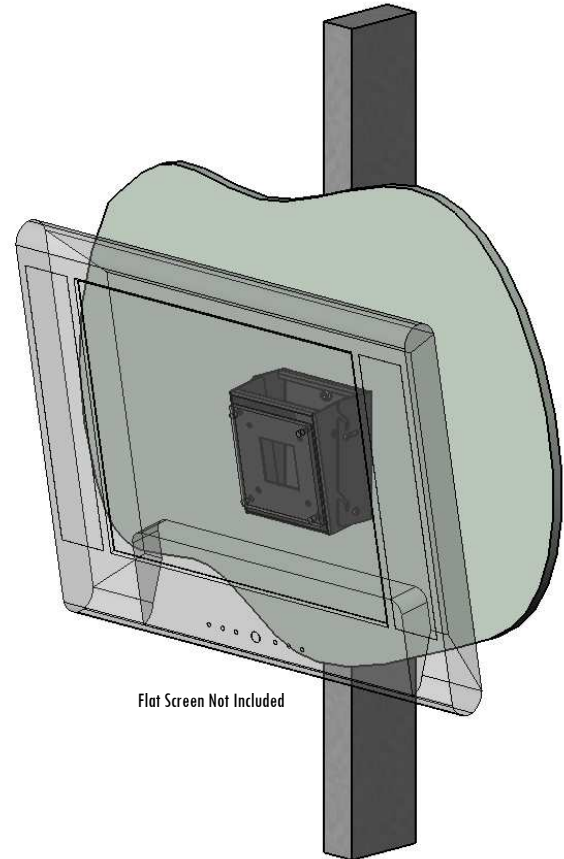
Features:

Durable gloss black baked on powder coat finish

Fits flat screens 10" - 40" up to 20lbs

Universal mounting pattern fits 100mm x 100mm & 75mm x 75mm VESA compatible monitors

Tilts up to 10°



Optional Accessories:

- WMATB2 - Metal Stud Toggle Bolt Kit
- WMAAB2 - Concrete Anchor Bolt Kit



LC100WT QR Code
Link to Web Page

Maximum Load Limit:

20lbs (9.1kg)

Product Weight:

1.0lbs (0.45kg)

Shipping Weight:

1.5lbs (0.7kg)

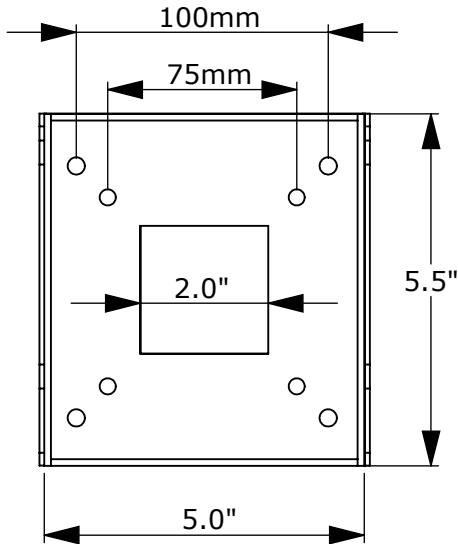
Carton Dimensions:

6"L x 6"W x 3"H

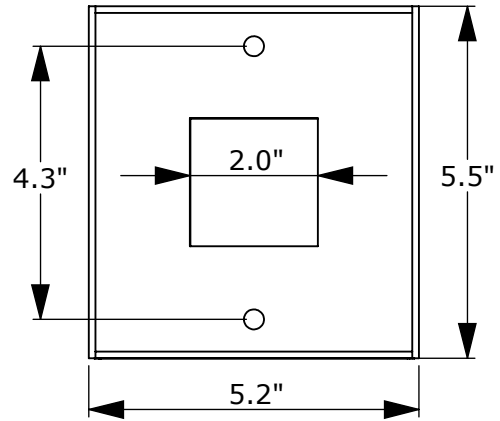
Architectural Specification: The Tilting SecurityWall Mount shall be Lucasey model LC100WT and shall be located where indicated on the plans. It shall feature monitor attaching plates included compatible with VESA 100mm x 100mm and 75mm x 75mm mounting patterns. Assembly and installation shall be done according to instructions provided by the manufacturer.



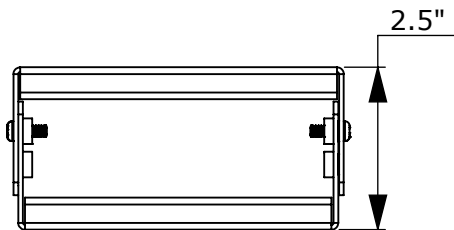
VESA Mounting Plate



Wall Mounting Plate



Top View



Side Views

