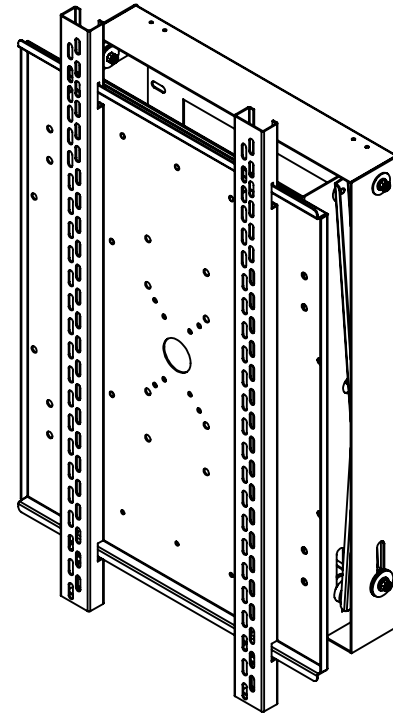




FSWP1830

**Portrait Orientation Pull-out Wall Mount
for Flat Screens up to 150lbs**

The FSWP1830 pull-out wall mount has scissor action arms that can hold flat screens up to 150 pounds. The mount is ideal for inside the wall applications where the monitor needs to be pulled out for service. The release mechanism allows for use of a very slim release tool and a 1/16" gap around the monitor. Ideal for flat screen monitor wall applications where there needs to be tight clearances between monitors and access for service. An additional FSUP adapter plate is required. (sold separately)



Note: FSUP adapter is sold separately

Features:

Available in black and silver finishes

Fits 40"+ monitors that weight less than 150lbs and fits any FSUP adapter. (Sold Separately)

Optional Accessories:

WMATB4 - Metal Stud Toggle Bolt Kit

WMAAB4 - Concrete Anchor Bolt Kit

Maximum Load Limit:

150lbs (68.2 kg)

Product Weight:

25.0lbs (11.4 kg)

Shipping Weight:

28.0lbs (12.7 kg)

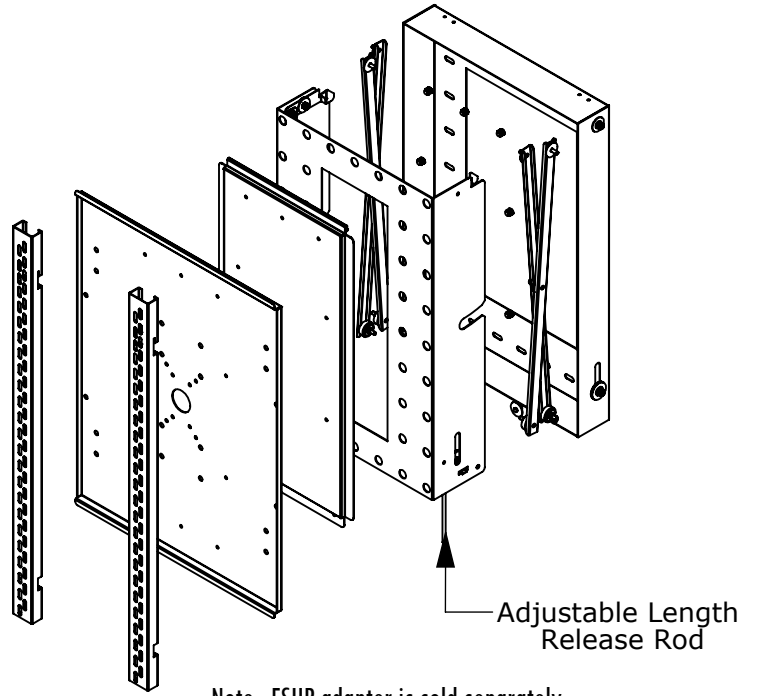
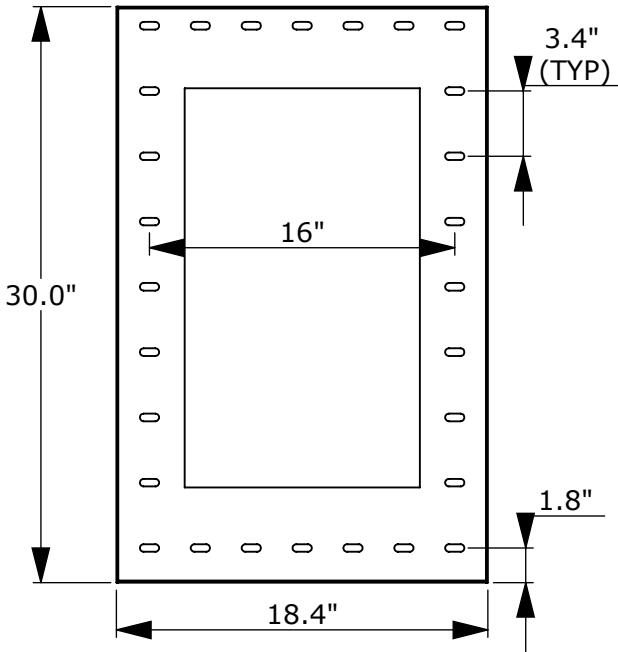
Carton Dimensions:

32"L x 21"W x 8"H

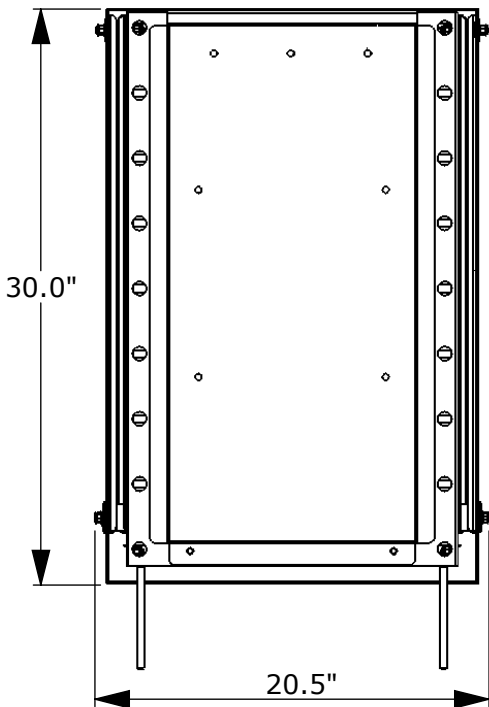
Architectural Specification: The Pull-out Wall Mount shall be Lucasey model FSWP1830 and shall be located where indicated on the plans. The FSWP1830 shall be specified with an adapter plate including monitor attaching channels compatible with the monitors mounting pattern. Assembly and installation shall be done according to instructions provided by the manufacturer.



Wall Plate



Front View



Side Views

