



FSPED20 Floor Mounted Pedestal for Flat Screens up to 125lbs

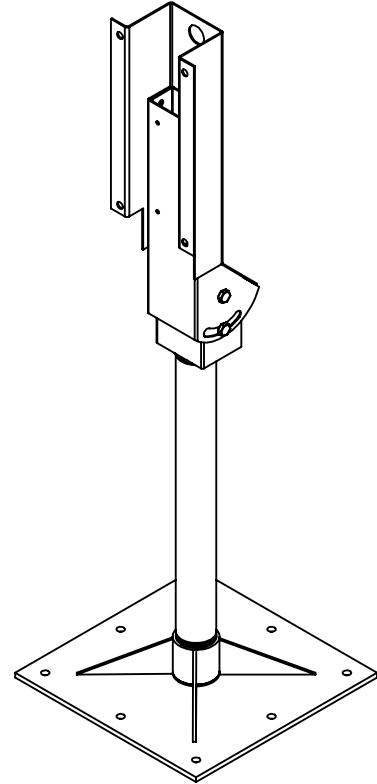
The FSPED20 attaches to flat screens up to 125lbs with a FSU Adapter (ordered separately). The floor mounted pedestal lets you elevate your flat screen monitor off the floor. The provided 18" pipe can be substituted for the best flat screen elevation. The solid 12" square base can be bolted to wood or concrete providing a safe foundation for the elevated flat screen.

Features:

Fits flat screens up to 125lbs

Durable and easy to clean black baked on finish

Works with FSU Adapter Plates. (Sold Separately)



Maximum Load Limit:

125lbs (56.8 kg)

Product Weight:

38.0lbs (17.3 kg)

Shipping Weight:

40.0lbs (18.2 kg)

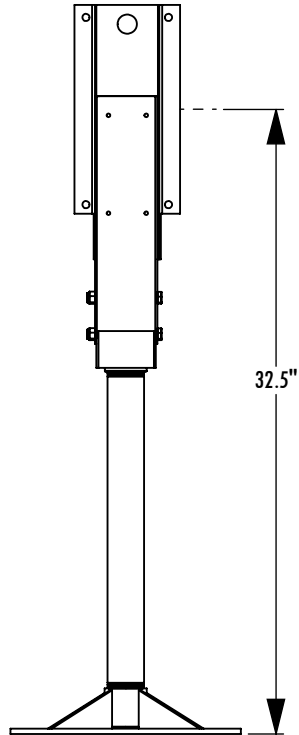
Carton Dimensions:

18"L x 12"W x 6"H

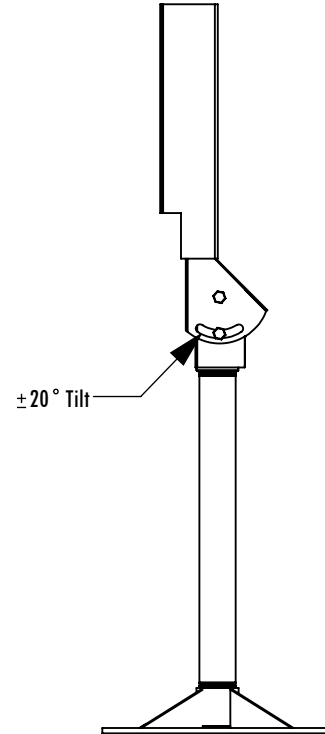
Architectural Specification: The Floor Mounted Flat Screen Pedestal shall be Lucasey model FSPED20 and shall be located where indicated on the plans. The FSPED20 shall be ordered with a flat screen adapter (ordered separately) that will be compatible with the flat screen mounting pattern. Assembly and installation shall be done according to instructions provided by the manufacturer.



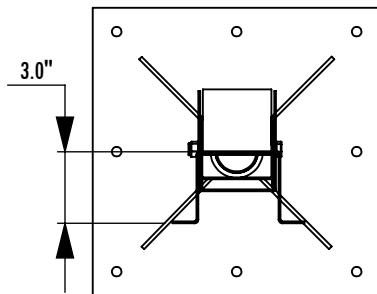
Front View



Side View



Top View



Base Flange

