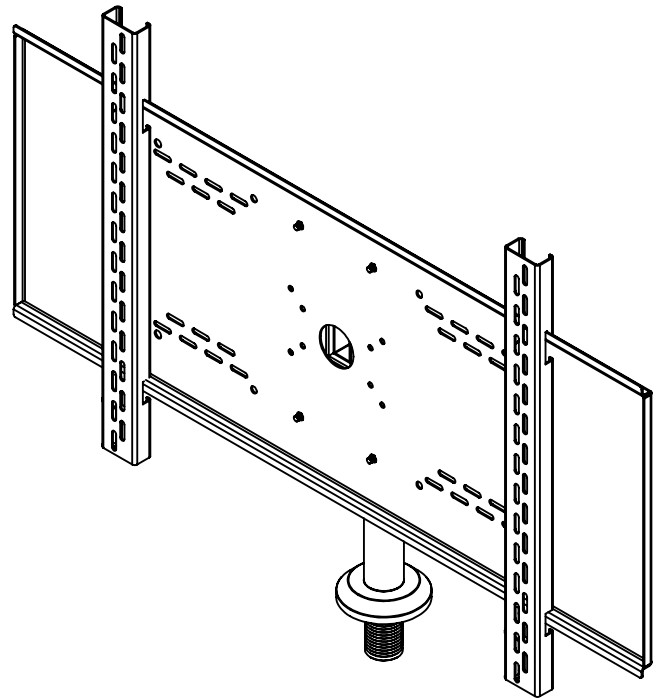




FSF14UL3520 Furniture Mount for Flat Screens up to 100lbs
Includes Universal Adapter Plate FSUL3520

The FSF14UL3520 attaches to flat screens up to 100lbs with mounting patterns up to 35" Wide by 20" Tall. The mount lets you elevate your flat screen monitor off of an existing piece of furniture with an elegant and clean appearance. Cables are cleverly hidden, running through the mount and furniture top. The adjustable swivel mechanism allows for the best viewing position, allowing the monitor to be pivoted from left to right. Includes security screw hardware kit and universal flat screen adapter.



Features:

Fits flat screens up to 100lbs
(Check mounting pattern and elevation for compatibility)

Durable and easy to clean black baked on finish

Smooth gliding adjustable pivot from left to right $\pm 45^\circ$

Universal adapter plate fits mounting patterns up to 35" wide by 20" tall. This includes 800mm x 400mm or smaller VESA compatible monitors

Includes security screw kit for monitor security

Custom sizes to accommodate larger monitors and soundbars are available

Maximum Load Limit:

100 Lbs. (45.5 Kg.)

Product Weight:

26.3 Lbs. (12.0 Kg.)

Shipping Weight:

28.0 Lbs. (12.7 Kg.)

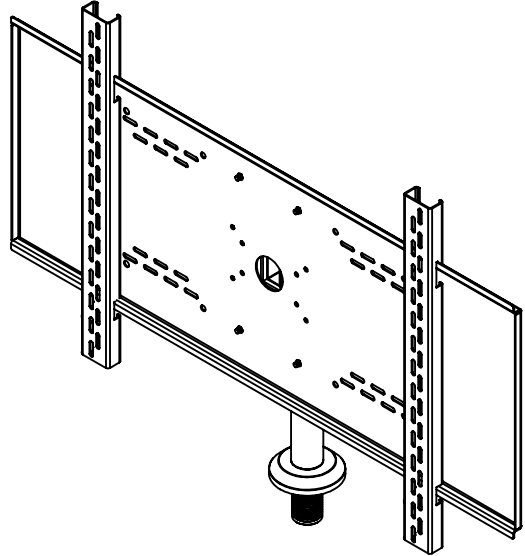
Carton Dimensions:

38"L x 16"W x 6"H

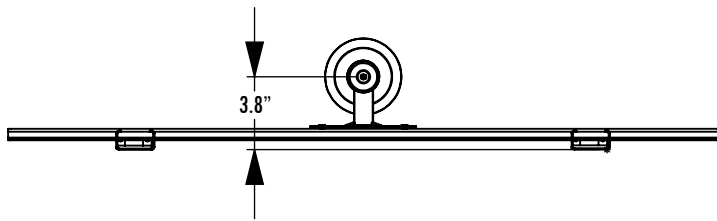
Architectural Specification: The Flat Screen Furniture Mount shall be Lucasey model FSF14UL3520 and shall be located where indicated on the plans. It shall feature monitor attaching plates included compatible with mounting patterns up to 35" Wide by 20" Tall. Assembly and installation shall be done according to instructions provided by the manufacturer.



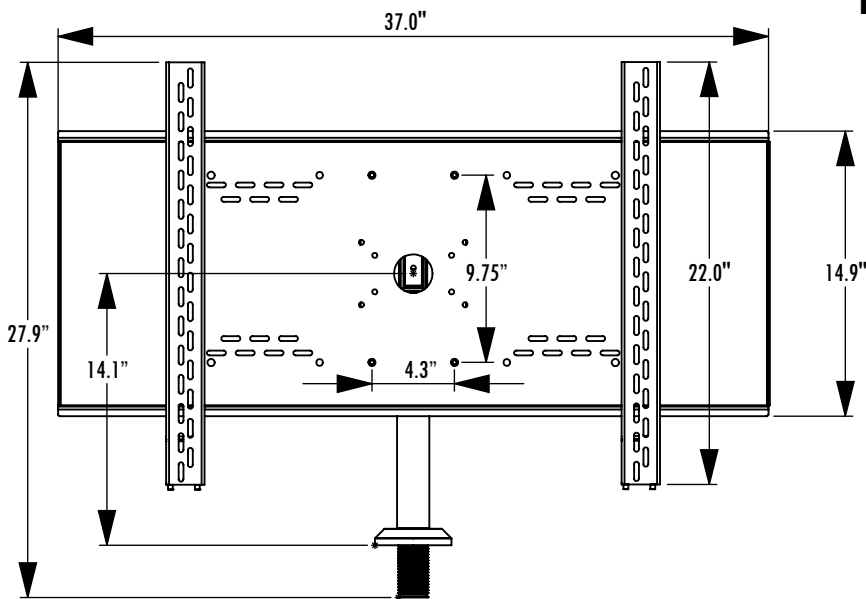
FSF14UL3520 Isometric View



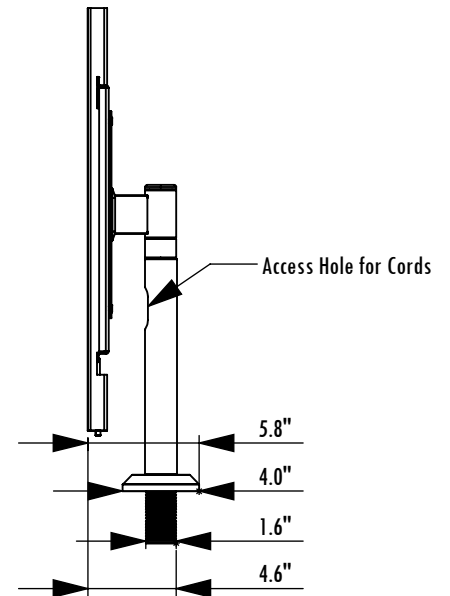
FSF14UL3520 Top View



FSF14UL3520 Front View



FSF14UL3520 Side View



FSF14UL3520 Bottom View

