



FSCT20 Ceiling Mount with Hidden Connections
for Flat Screens up to 200lbs

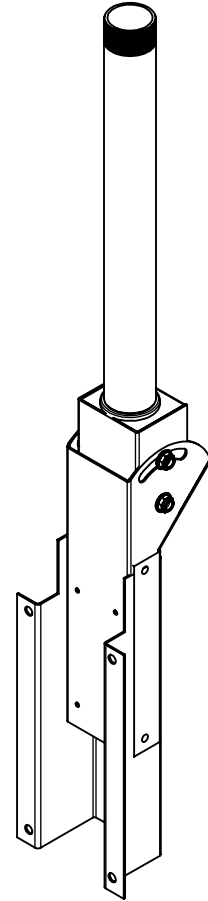
The FSCT20 ceiling mount is designed to work with our 1-person hoist system. The ceiling mount has $\pm 20^\circ$ reversible tilt. The cords from the monitor can be lead from behind the monitor through the pipe up into the ceiling for a neatly concealed wiring connection. Ceiling hardware and accessories for structural variation are ordered separately. The FSCT20 works with any FSA or FSU type flat screen adapter, ordered separately to fit the monitor size. Portrait and Landscape view adapters are available.

Features:

Available in a durable epoxy black wrinkle finish

Fits flat screen monitors up to 200lbs

Compatible with: FSA, FSUL & FSUP flat screen adapters.



Optional Accessories:

CMACC150 - Cathedral Ceiling Flange

CMAF150 - Custom Cut Pipe Threaded and Powder Coated

CMAEF150 - Chrome Escutcheon Flange

Maximum Load Limit:

200lbs (90.9 kg)

Product Weight:

10.5lbs (4.8 kg)

Shipping Weight:

12.3lbs (5.6 kg)

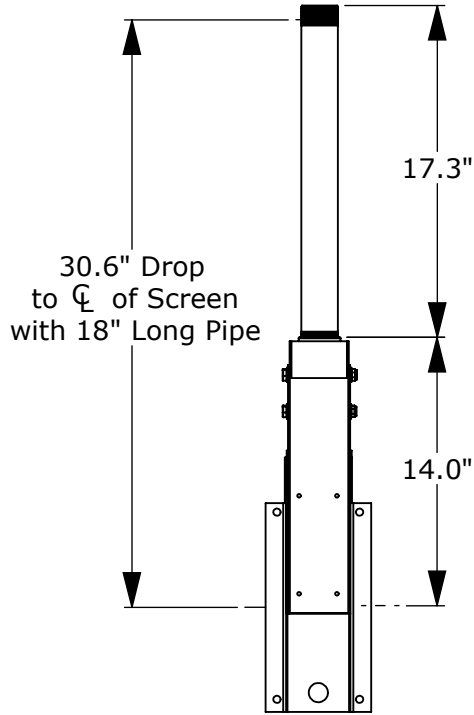
Carton Dimensions:

19-1/2"L x 6-1/4"W x 6-1/2"H

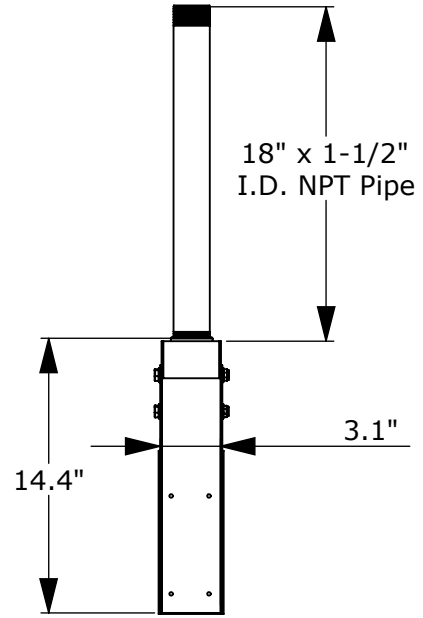
Architectural Specification: The Ceiling Mount shall be Lucasey model FSCT20 and shall be located where indicated on the plans. It shall be used with a universal or model specific monitor attaching adapter plate compatible with monitor model specified. Ceiling attaching hardware and accessories shall be specified separately. Assembly and installation shall be done according to instructions provided by the manufacturer.



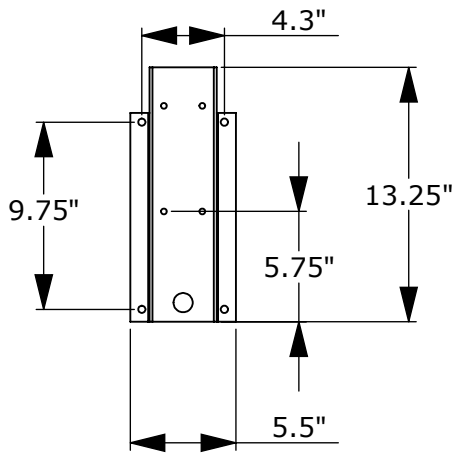
Front View with Hat



Front View w/o Hat



FSCT20 Hat



Side View

