



FSCT Ceiling Mount with Tilt
for Flat Screens up to 200lbs

Ceiling mount with tilt and 360° swivel. Fits monitors that weigh less than 200lbs. and uses 100mm x 100mm, 200mm x 100mm, 200mm x 200mm or 300mm x 300mm VESA® mounting patterns. Also fits monitors with non-VESA® mounting patterns using a universal FSUL or FSUP adapter plate (sold separately). Mounts to a 1-1/2" I.D. ceiling flange (sold separately) bolted to the ceiling structure. Several varieties of ceiling flanges are available for different types of ceiling structures (see mount accessories).

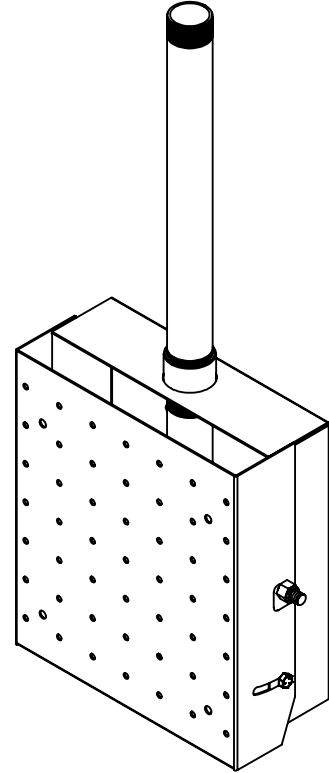
Features:

Durable baked on epoxy black wrinkle finish

Fits flat screen monitors up to 200lbs

Compatible with: FSA, FSUL & FSUP flat screen adapters.

Fits 100mm x 100mm, 200mm x 100mm, 200mm x 200mm or 300mm x 300mm VESA® mounting patterns



Optional Accessories:

CMASF150 - Square Heavy Duty Ceiling Flange

CMAF150 - Custom Cut Pipe Threaded and Powder Coated

CMAEF150 - Chrome Escutcheon Flange

Maximum Load Limit:

200lbs (90.9 kg)

Product Weight:

23lbs (10.5 kg)

Shipping Weight:

25lbs (11.4 kg)

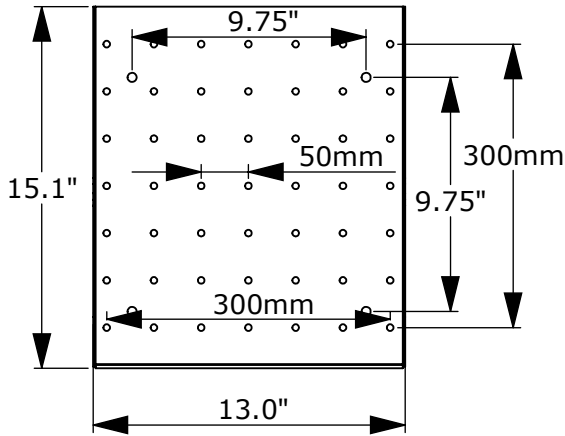
Carton Dimensions:

20"L x 15"W x 8"H

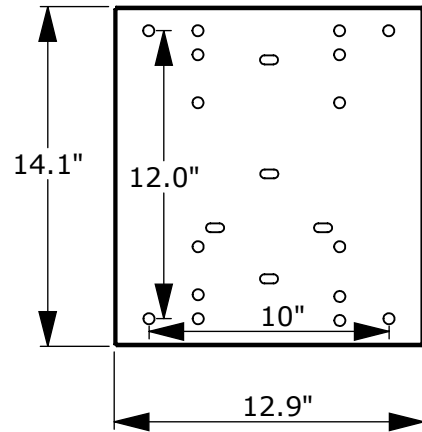
Architectural Specification: The Ceiling Mount shall be Lucasey model FSCT and shall be located where indicated on the plans. The mount will fit VESA mounting patterns of 100mm, 200mm or 300mm or shall be used with a universal or model specific monitor attaching adapter plate compatible with monitor model specified. Ceiling attaching hardware and accessories shall be specified separately. Assembly and installation shall be done according to instructions provided by the manufacturer.



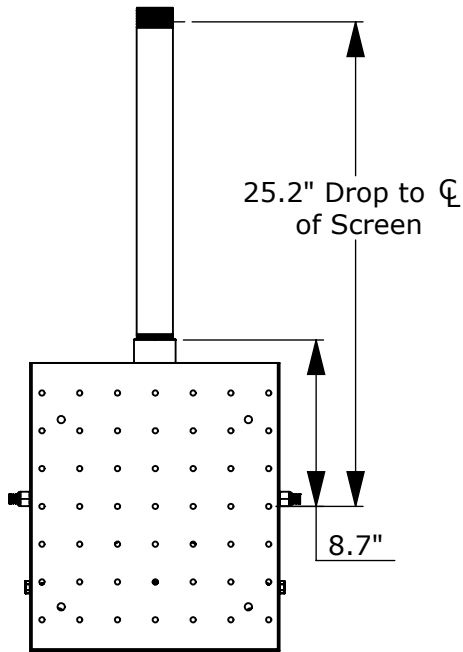
Front Plate



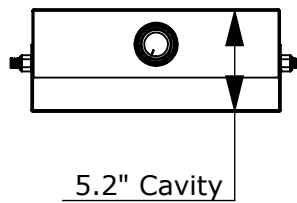
Back Plate



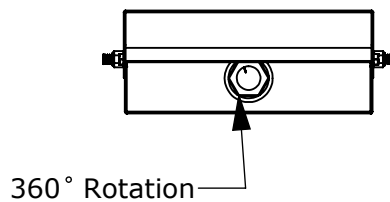
Front View



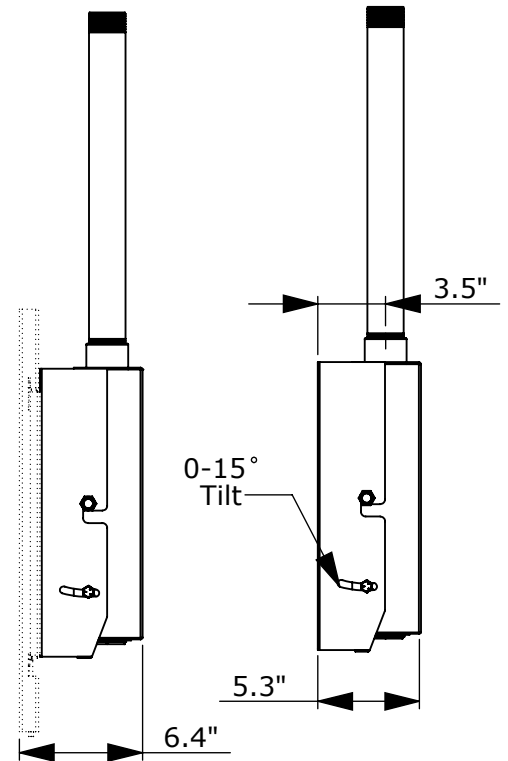
Top View



Bottom View



Side Views



Shown with FSU Adapter
(Sold Separately)