

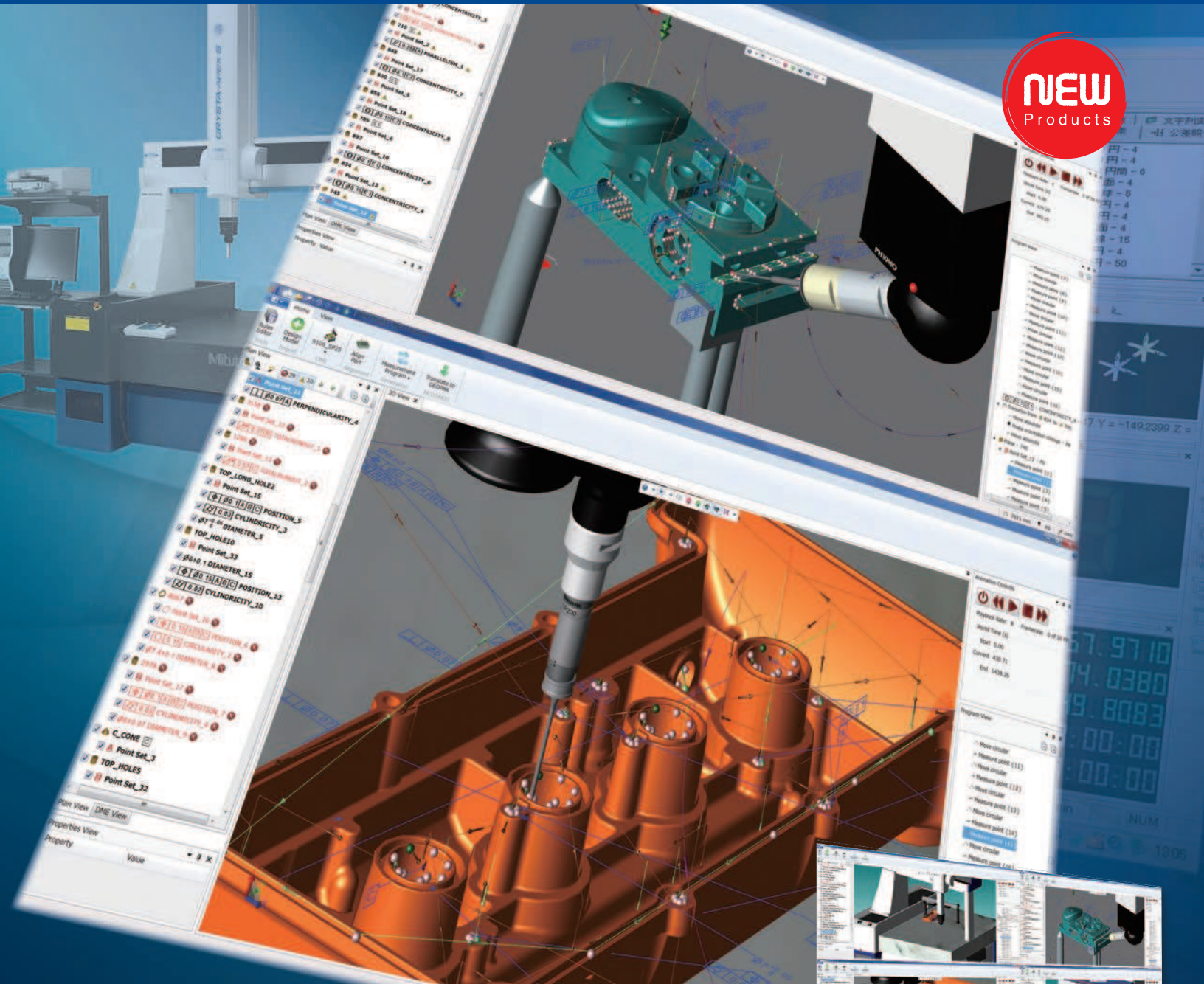
Automatic measurement program generation software **MiCAT Planner**

*One-click programming that changes the relationship between
people and precision measurement*



Mitutoyo Corporation
80th Anniversary
Since 1934

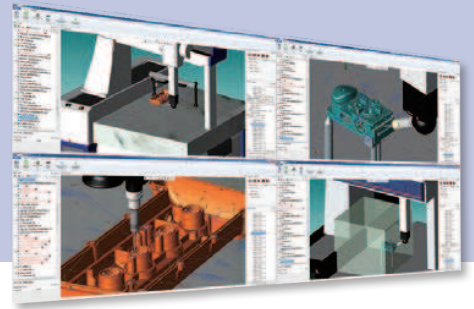
Coordinate Measuring Machines



Bulletin No. 2150

Mitutoyo

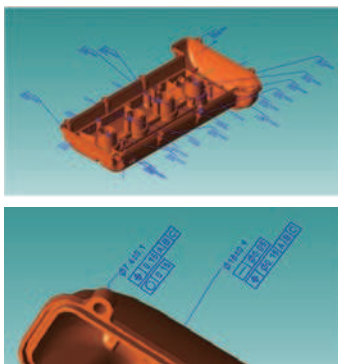
Automatic measurement program generation software MiCAT Planner



FEATURES

- Uses software to identify tolerance information included in 3D models with Product and Manufacturing Information (PMI), defines the location for measurement, and creates a measurement program fully automatically.
 - Through its optimization function, the software estimates the shortest route for measurement with the minimum number of probe re-positionings and tool changes; and creates a program that enables measurement in the shortest time.
 - Utilizing the rule editor function to set the measurement rules prevents variation in measurement quality between program writers.
 - Automation enables programming time to be reduced by up to 95%*, enabling a significant potential increase in the efficiency of measurement work.
- * Compared with programming using general-purpose software.

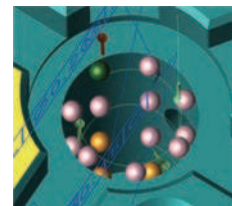
CAD data with PMI (GD&T)



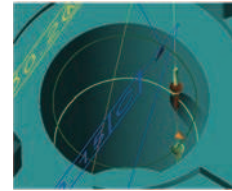
CMM system structural information



User-defined measurement rules, etc.
Number of locations to measure, sampling pattern, etc.

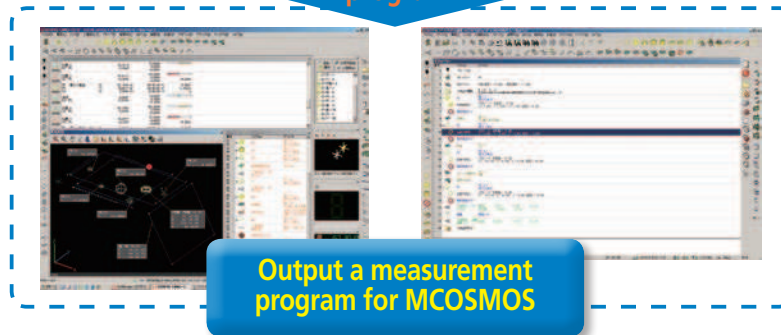


Example of sampling method: touch measurement



Example of sampling method: scanning measurement

Instantly and automatically
creates a measurement
program



Mitutoyo America Corporation
www.mitutoyo.com
One Number to Serve You Better
1-888-MITUTOYO (1-888-648-8869)

M³ Solution Centers
Aurora, Illinois
(Corporate Headquarters)
Westford, Massachusetts
Huntersville, North Carolina
Mason, Ohio

Plymouth, Michigan
City of Industry, California
Birmingham, Alabama
Renton, Washington
Houston, Texas

Mitutoyo

Note: All information regarding our products, and in particular the illustrations, drawings, dimensional and performance data contained in this printed matter as well as other technical data are to be regarded as approximate average values. We therefore reserve the right to make changes to the corresponding designs. The stated standards, similar technical regulations, descriptions and illustrations of the products were valid at the time of printing. In addition, the latest applicable version of our General Trading Conditions will apply. Only quotations submitted by ourselves may be regarded as definitive.

Mitutoyo products are subject to US Export Administration Regulations (EAR). Re-export or relocation of our products may require prior approval by an appropriate governing authority.

Trademarks and Registrations

Designations used by companies to distinguish their products are often claimed as trademarks. In all instances where Mitutoyo America Corporation is aware of a claim, the product names appear in initial capital or all capital letters. The appropriate companies should be contacted for more complete trademark and registration information.

