



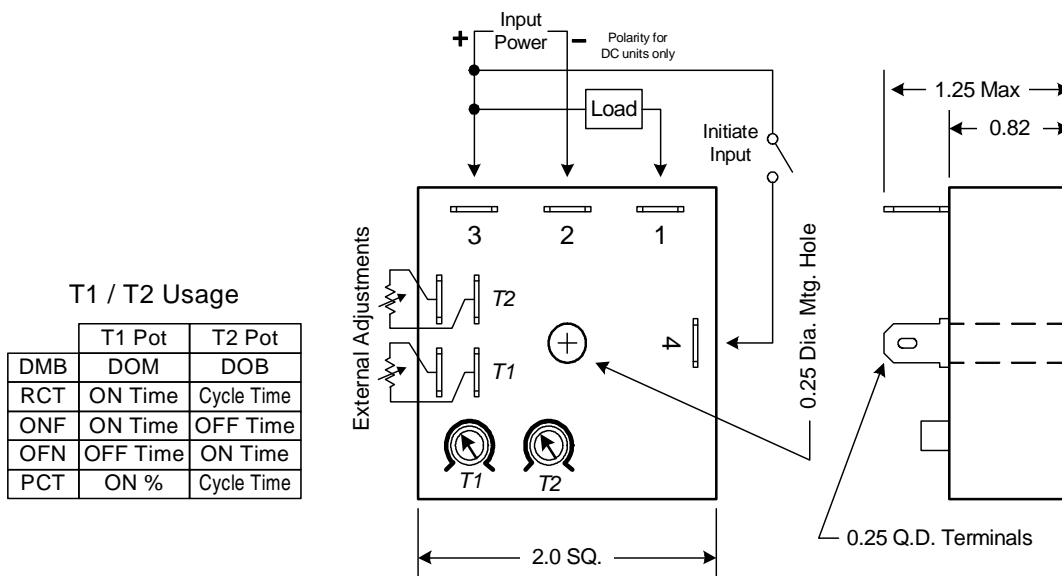
FT01S

Solid State Output FlexTimer[®]



The FT01S is a solid state timer with a 1A solid state output which can be configured for any number of timing functions and time delays. This unique programmable timer can provide all standard timing functions with 9 adjustable timing ranges from 0.1 sec to 10,000 hours or with fixed timing. An FT01S timer with fixed timing does not include the internal potentiometers as shown. The Initiate Input is provided for timing functions which require a trigger input to activate such as delay on break and single shot timing functions. The timing can be adjusted with the internal potentiometers or the external adjustment terminals, see ordering information. External adjustment terminals supplied only when specified in the part number

Mechanical & Wiring



T1 / T2 Usage

	T1 Pot	T2 Pot
DMB	DOM	DOB
RCT	ON Time	Cycle Time
ONF	ON Time	OFF Time
OFN	OFF Time	ON Time
PCT	ON %	Cycle Time

Specifications

Timing Mode: Programmable by factory: Delay on make, triggered delay on make, delay on break, triggered delay on break, delay on make & break, interval, single shot, repeat cycle, on/off, off/on, or custom functions.

Operating Voltages: DC: 12V, 24V, 36V, 48V, and 72V. AC: 24V, 115V, 230V 50/60 Hz.

Voltage Ranges: 12V DC rated 10-16V DC, all others $\pm 20\%$.

Time Delay: Nine ranges from 0.1 seconds to 10,000 hours, see part numbering

Timing Accuracy: Adjustable units: -10%/+0% on low time, -0%/+10% on high time. Fixed units $\pm 2\%$.

Timing Repeatability: Better than $\pm 2\%$ at stable operating temperature and voltage, $\pm 5\%$ across voltage and operating temperature range.

External Timing Adjustment: Time delay is linear with external resistance range of 25k Ohms.

Output Rating: 10mA to 1A inductive with inrush current to 25 A for 8 mS.

Output Voltage Drop: 2V for DC models, 4V maximum for AC models.

Output Leakage Current: 1 mA maximum for DC models, 3 mA maximum for AC models.

Transient Protection: 8 Joules minimum.

Dielectric Rating: 1500Vrms from all terminals to case.

Mounting: 0.25" dia. hole for mounting, suitable for #10 or 1/4 screw.

Operating Temperature: -20°C to +85°C.

Construction: Encapsulated module in thermoplastic case, 0.25" male QD terminals.

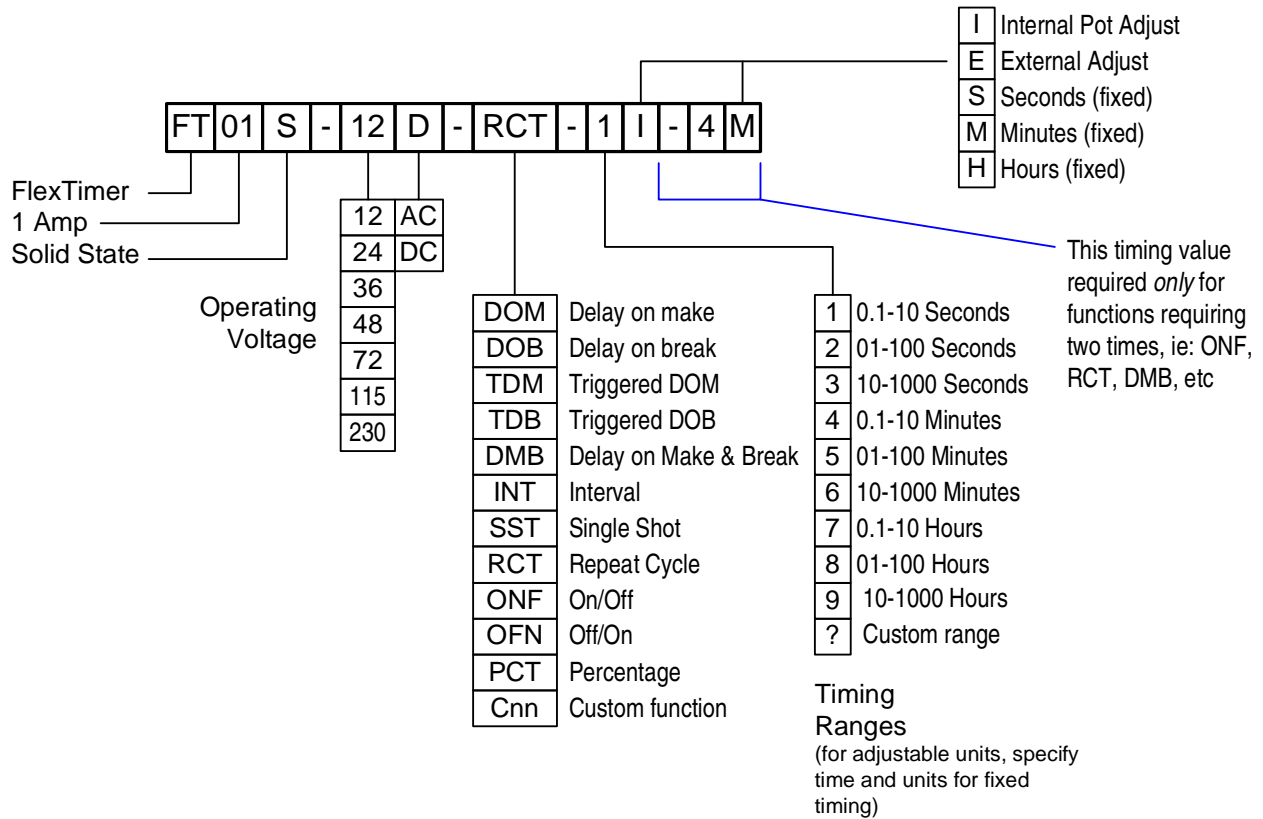
Data Sheet © and Date: November 7, 2013

VISIT OUR WEB SITE AT: www.artisancontrols.com

Notice: Artisan Controls Corporation assumes no responsibility for customers applications or product design, it is the customer's responsibility to analyze their application and test the selected product to determine its suitability for use. The information and data contained herein is the sole and exclusive property of Artisan Controls Corporation. Any duplication, misuse, or conversion of this information without the express written consent of Artisan Controls Corporation is illegal and will result in damages including court costs and attorney fees being assessed against the party misusing this property



Ordering Information



Part Numbering Examples:

FT01S-12D-RCT-1I-4M (above) = Repeat Cycle Timer operating from 12V DC, on time adjustable from 0.1-10 seconds with internal pot, cycle time fixed at 4 minutes

FT01S-115A-DOM-4E = Delay On Make Timer operating from 115V AC, time delay adjustable from 0.1-10 minutes with external 25k pot or fixed resistor.

VISIT OUR WEB SITE AT: www.artisancontrols.com

Notice: Artisan Controls Corporation assumes no responsibility for customers applications or product design, it is the customer's responsibility to analyze their application and test the selected product to determine its suitability for use. The information and data contained herein is the sole and exclusive property of Artisan Controls Corporation. Any duplication, misuse, or conversion of this information without the express written consent of Artisan Controls Corporation is illegal and will result in damages including court costs and attorney fees being assessed against the party misusing this property