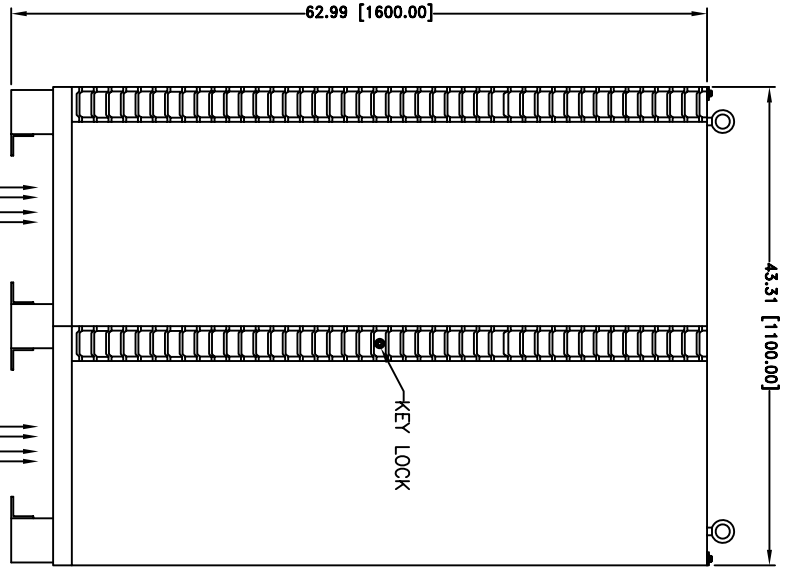
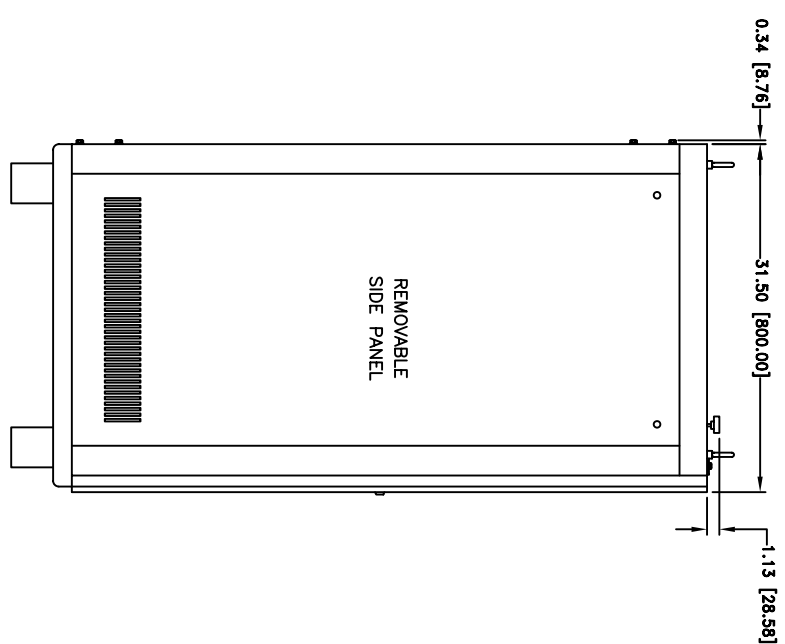
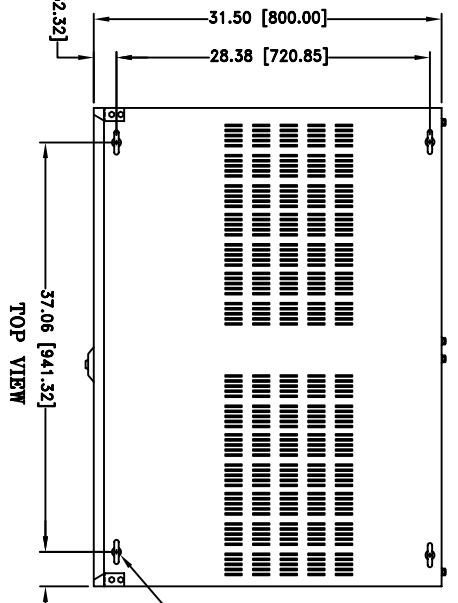
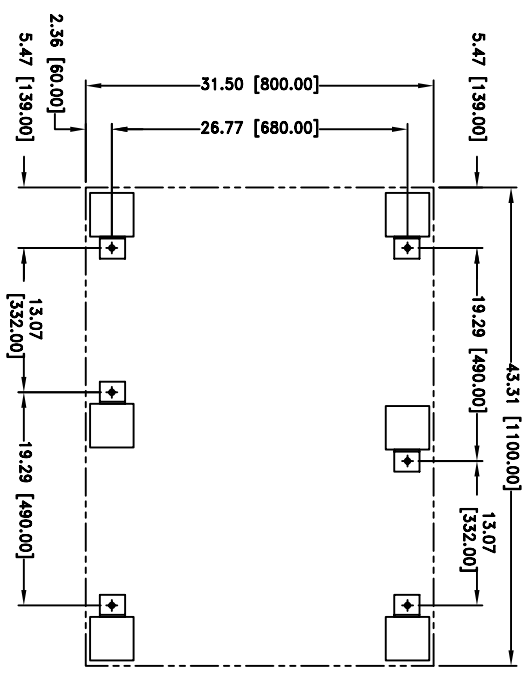


SYM	DESCRIPTION	BY	APP	DATE
-	-	-	-	-



- NOTE:
1. ALL DIMENSIONS ARE IN INCHES (MILLIMETERS).
 2. AIR INTAKE AND IN/OUT CABLES FROM THE BOTTOM.
 3. COATING POWDER: 0.3MM THICK.
 4. COLOR: PANTONE COOL GREY #5.
 5. FRONT AND REAR MARKING FOR REFERENCE ONLY.

THIS DRAWING CONTAINS PROPRIETARY INFORMATION AND IS THE PROPERTY OF NOVA ELECTRIC. NOVA ELECTRIC, BERGENFIELD, N.J. 07621-2915

NOVA ELECTRIC
A DIV. OF TECHNOLOGICAL FINANCIAL INC.
101 SCHOOL STREET
BERGENFIELD, N.J. 07621-2915

TITLE: JUPITER 44" W BATTERY CABINET

DESIGN	01/22/09	DATE	01/22/09
REV.	01/22/09	DATE	01/22/09
BY:	DL	DATE	01/22/09
APP:	DL	DATE	01/22/09
SIZE	D	SCALE	1:1
NO.	9981007	CASE	28019
REV.	-	SHEET	1 OF 1

HTTP://WWW.NOVAELECTRIC.COM/SCALE