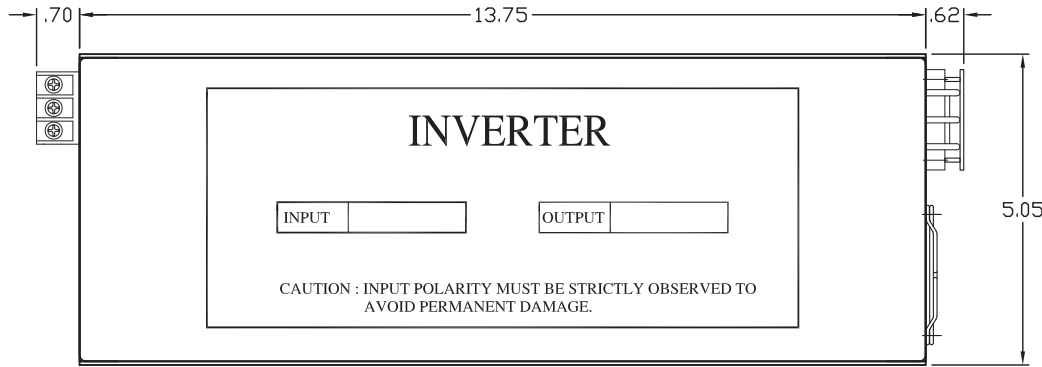
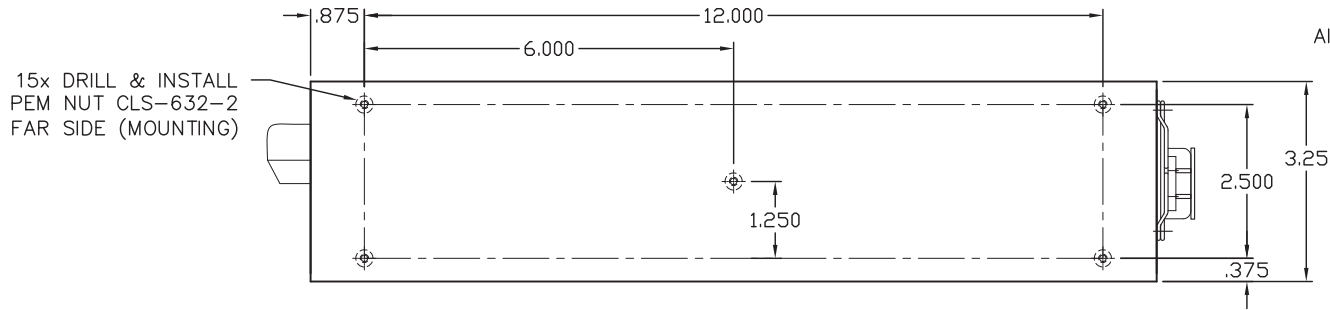


REVISIONS			
LTR	DESCRIPTION	BY	APR DATE
A	ADDED NOTE #3	RL BT	11/18/11

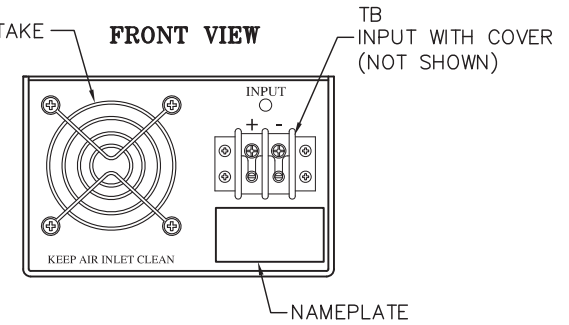
TOP VIEW



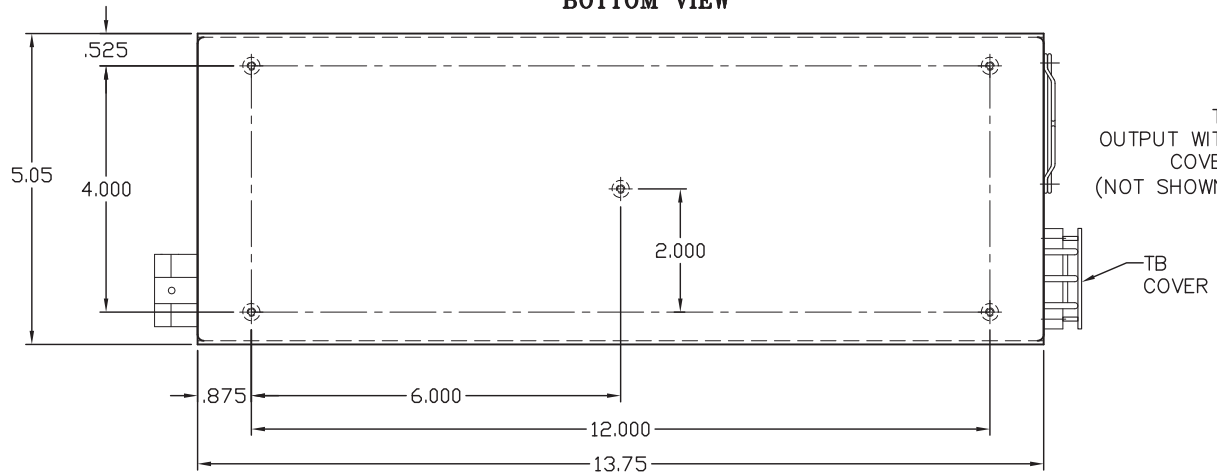
SIDE VIEW



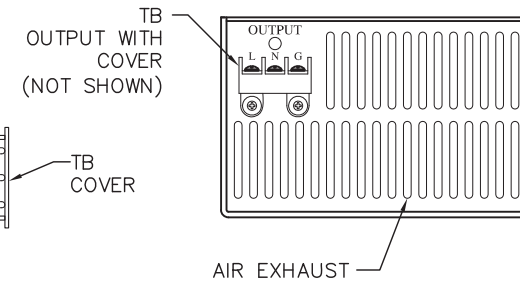
FRONT VIEW



BOTTOM VIEW



REAR VIEW



NOTES:

1. ALL DIMENSIONS ARE IN INCHES.
2. ALL UNDIMENSIONED PICTORIAL CONFIGURATIONS ARE FOR REFERENCE ONLY.
3. MAX. MOUNTING SCREWS PENETRATION:
SIDES: .187
BOTTOM: .250
4. APPROXIMATE WEIGHT: 8 LBS.

DO NOT SCALE DRAWING	THIS DRAWING IN DESIGN AND DETAIL IS NOVA ELECTRIC PROPERTY AND MUST NOT BE USED EXCEPT IN CONNECTION WITH OUR WORK. ALL RIGHTS OF DESIGN OR INVENTION ARE RESERVED.	THIRD ANGLE PROJECTION	NOVA ELECTRIC A DIV. OF TECHNOLOGY DYNAMICS INC. 100 SCHOOL STREET BERGENFIELD, N.J. 07621-2915
MATERIAL: -			
FINISH: -	TOLERANCES UNLESS OTHERWISE SPECIFIED .XX = ± .02 .XXX = ± .005 ANGLE = ± 1/2°	DRAWN DATE RL 11/16/11	OUTLINE DRAWING NGL300 VA thru 1500 VA
	DIMENSIONS IN INCHES UNLESS OTHERWISE NOTED	CHECKED DATE BT 11/16/11	APPROVED DATE AL 11/16/11
HTTP://WWW.NOVAELECTRIC.COM		SCALE: NONE	SIZE: C 9810780 A
			CAGE: 29019 SHEET: 1 of 1 REV.