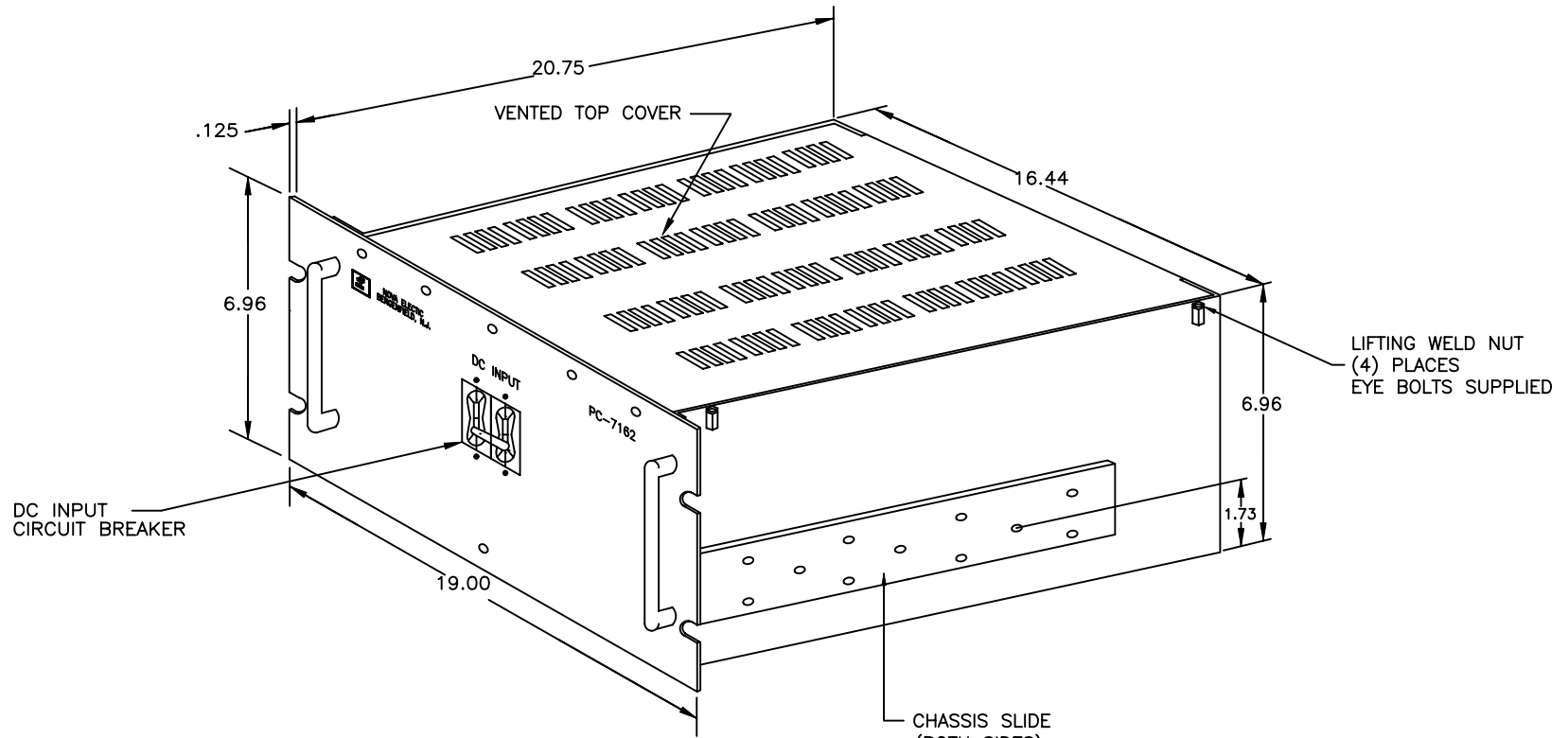
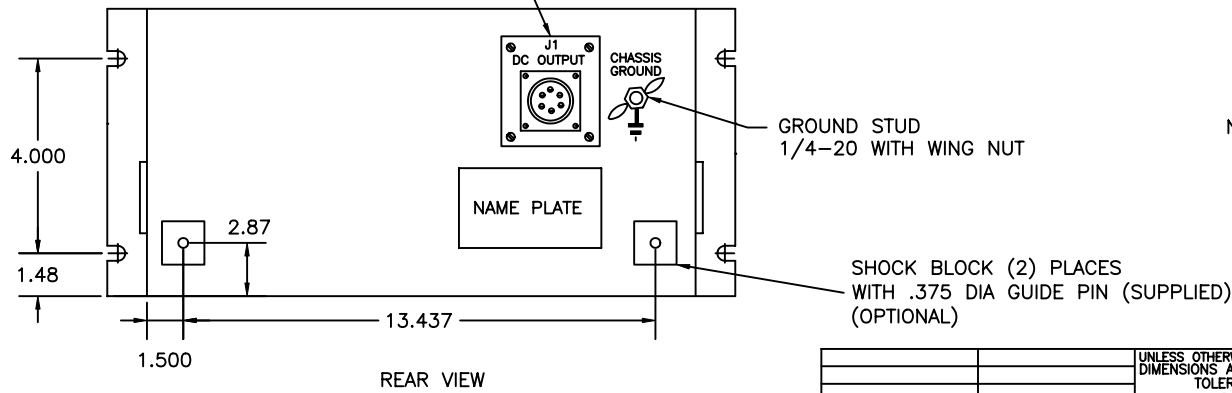



REVISIONS					
SYM	DESCRIPTION	BY	APP	DATE	
A	UPDATED	ZIN	MY	5-16-01	



DC OUTPUT CONNECTOR
 PC1 - MS3102R28-22SW
 PC2 - MS3102R28A16S
 PC3 - MS3102R28-22SX



- NOTES:
1. ALL DIMENSIONS ARE IN INCHES.
 2. EXTERIOR COLOR GREY #26440 (FED-STD-595)
 3. AIR INTAKE HOLES ON CHASSIS BOTTOM.
 4. HANDLES PROJECT 1.50 INCHES FROM FRONT PANEL SURFACE.

		UNLESS OTHERWISE SPECIFIED DIMENSIONS ARE IN INCHES. TOLERANCES: FRAC. DEC. ANGLES +/-1/64XX=+/-02 +/-2 XXX=+/-005DEG	THIS DRAWING CONTAINS PROPRIETARY INFORMATION AND MAY NOT BE REPRODUCED WITHOUT THE PERMISSION OF NOVA ELECTRIC.	 NOVA ELECTRIC A DIV. OF TECHNOLOGY DYNAMICS INC. 100 SCHOOL STREET BERGENFIELD, N.J. 07621-2915
201 LBS	PC1-156-7162	MATERIAL: N/A	DRAWN BY: DATE ZIN 3-30-01	
201 LBS	PC3-156-7162	FINISH: N/A	CHECKED BY: DATE MY 3-30-01	TITLE: OUTLINE DRAWING TYPICAL GALAXY BATTERY PACK
214 LBS	PC2-84-2-7162		APPROVED BY: DATE MY 5-17-01	SIZE: C
NEXT ASS'Y	USED ON			890810
APPLICATION				REV. A
				SCALE: 1:1
				CAGE: 29019
				SHEET 1 OF 1