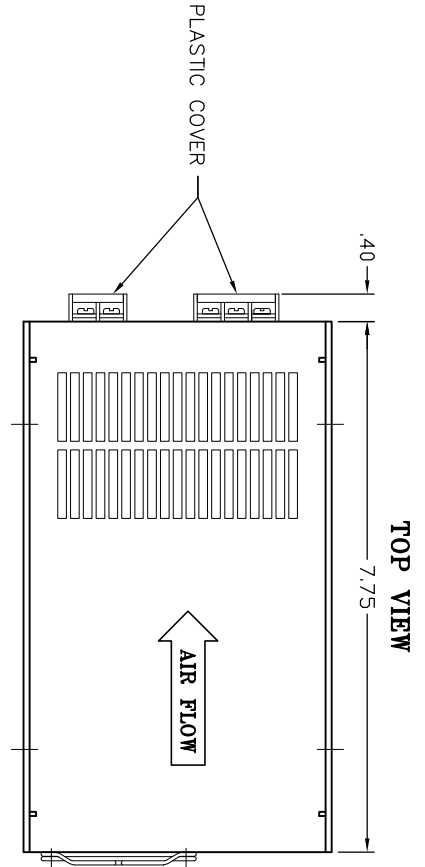
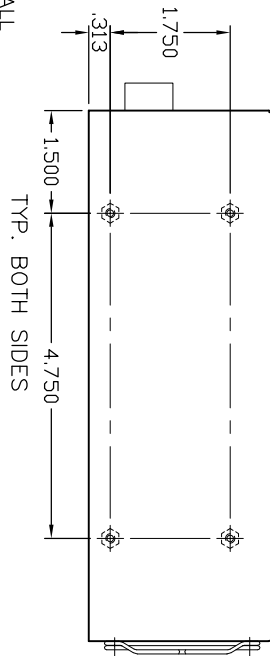


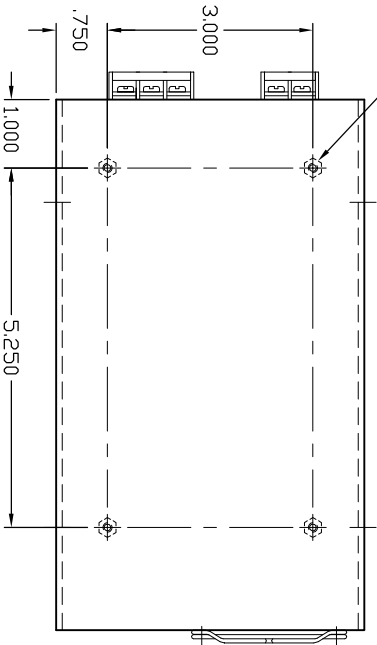
REVISIONS			
LR	DESCRIPTION	BY	APR DATE
-	-	-	-
-	-	-	-



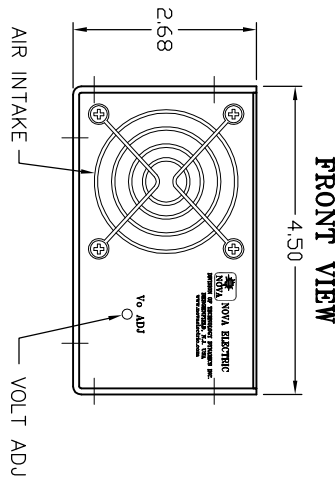
TOP VIEW



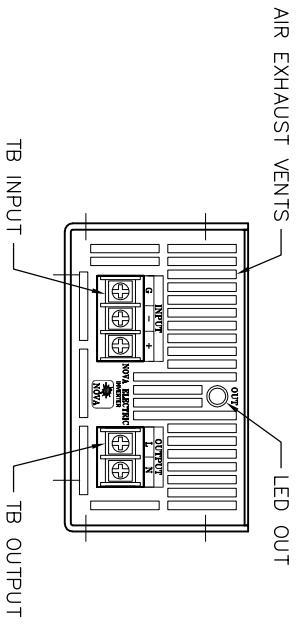
SIDE VIEW



BOTTOM VIEW



FRONT VIEW



REAR VIEW

- NOTES:**
1. ALL DIMENSIONS ARE IN INCHES.
 2. ALL UNDIMENSIONED PICTORIAL CONFIGURATIONS ARE FOR REFERENCE ONLY.
 3. MAX. MOUNTING SCREWS PENETRATION: SIDES: .187
BOTTOM: .250

DO NOT SCALE DRAWING		THIS DRAWING CONTAINS PROPRIETARY INFORMATION AND MAY NOT BE REPRODUCED WITHOUT THE PERMISSION OF TECHNOLOGY DYNAMICS.		THIRD ANGLE PROJECTION		TECHNOLOGY DYNAMICS INC. 100 SCHOOL STREET BERGENFIELD, N.J. 07621-2915	
MATERIAL:	-	TOLERANCES UNLESS OTHERWISE SPECIFIED	DRAWN	DATE	APPROVED	DATE	OUTLINE DRAWING, MODEL: 100W INVERTER
FINISH:	-	.XX = ± .02 DIMENSIONS IN INCHES .XXX = ± .005 UNLESS OTHERWISE NOTED ANGLE = ± 1/2°	RL	02/25/14	BT	02/25/14	
HTTP://WWW.NOVAELECTRIC.COM		SCALE: NONE	SIZE	C	CAGE: 29019	SHEET: 1 of 1	REV.
							77010270