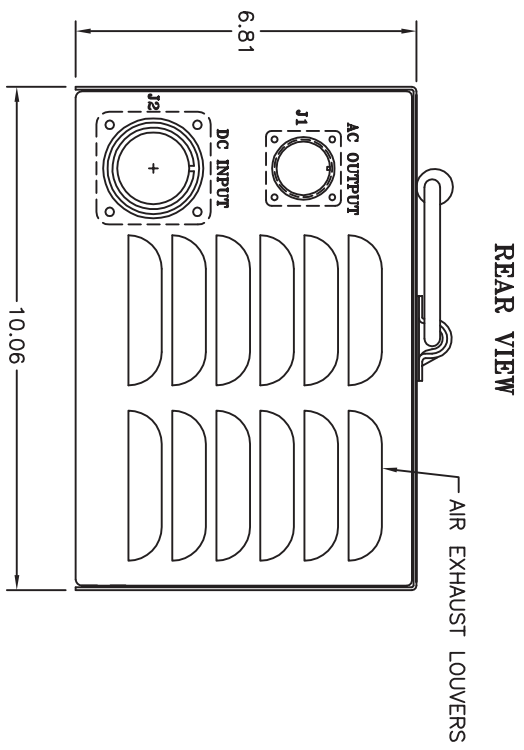
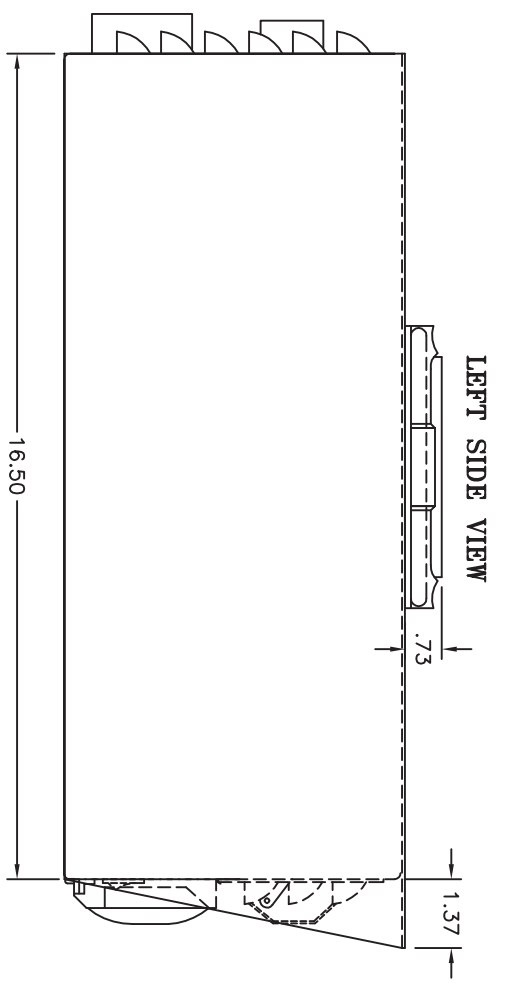
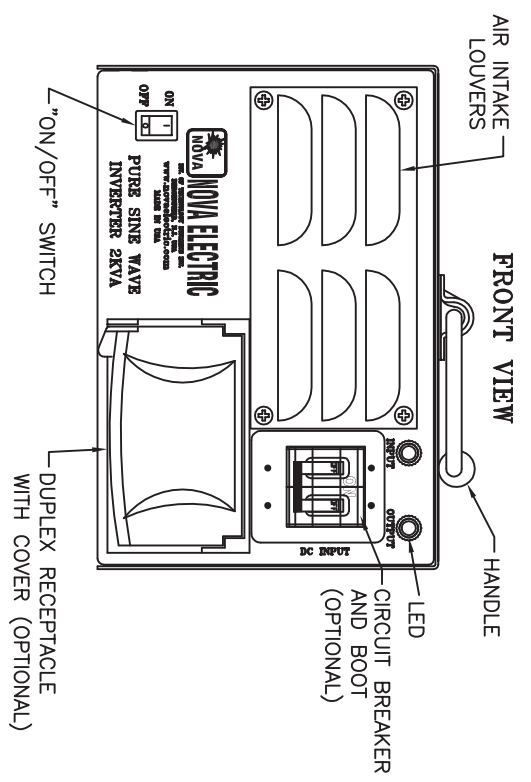
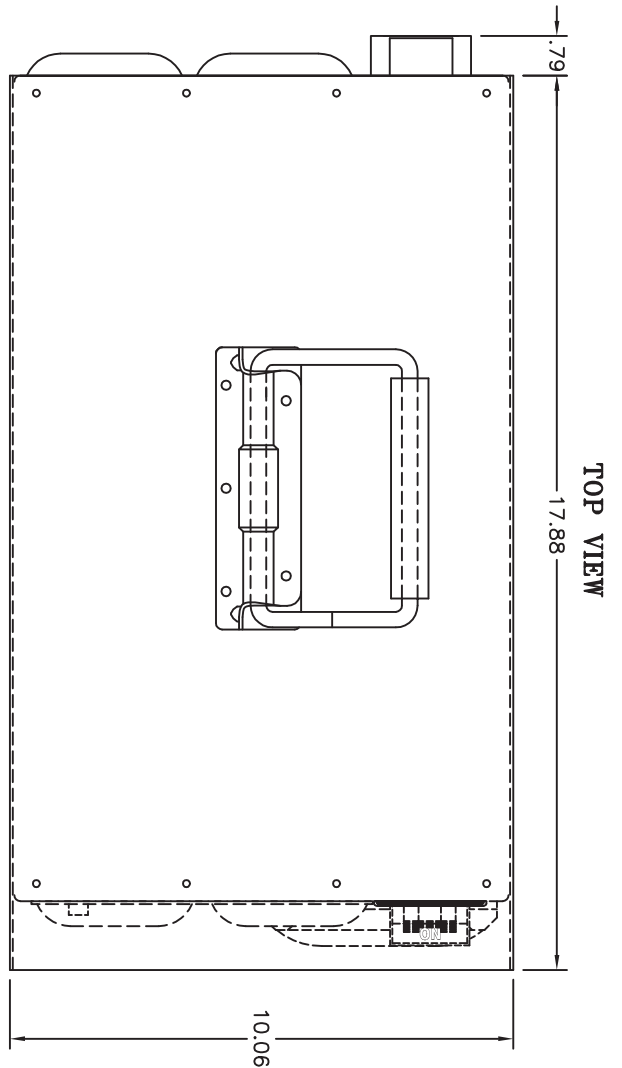


REVISIONS			
LR	DESCRIPTION	BY	DATE
A	CHANGED HANDLE AND PAINT SPECS.	RL	3/29/10



- NOTES:
1. ALL DIMENSIONS ARE IN INCHES.
 2. ALL UNDIMENSIONED PICTORIAL CONFIGURATIONS ARE FOR REFERENCE ONLY.
 3. FRONT AND REAR MARKING FOR REFERENCE ONLY.
 4. EXTERIOR COLOR OLIVE DRAB GREEN, COLOR #34031 OF FED-STD-595B, CARC TREATED.
 5. SILKSCREEN # 100858 IN WHITE EPOXY INK.

CONNECTORS PIN DESIGNATION

J1 AC OUTPUT		J2 DC INPUT	
MS3102R20-19S	PIN DESCRIPTION	MS3102R32-17P	PIN DESCRIPTION
A	LINE	A	DC +
B	NEUTRAL	B	SPARE
C	GND	C	DC -
		D	GND

UNLESS OTHERWISE SPECIFIED, DIMENSIONS ARE IN INCHES. FRACTIONS TO DECIMALS .XX ± .02 .XXX ± .005 ANGLES 4.50°

THIS DRAWING CONTAINS PROPRIETARY INFORMATION AND SHOULD BE REPRODUCED WITHOUT THE PERMISSION OF NOVA ELECTRIC.

NOVA ELECTRIC
A DIV. OF TECHNOLOGIX COMPANY, INC.
100 SCHOOL STREET
BERGENFIELD, N.J. 07621-2915

TITLE: OUTLINE DRAWING
PORTABLE OCG12K INVERTER

DATE: 03/18/10
CHECKED: B.T.
DATE: 03/18/10
APPROVED: ALL

FINISH: -

SCALE: C
SIZE: 9981022-2
REV: A

HTTP://WWW.NOVAELECTRIC.COM

SCALE: 1
CASE: 29019
SHEET: 1 OF 1