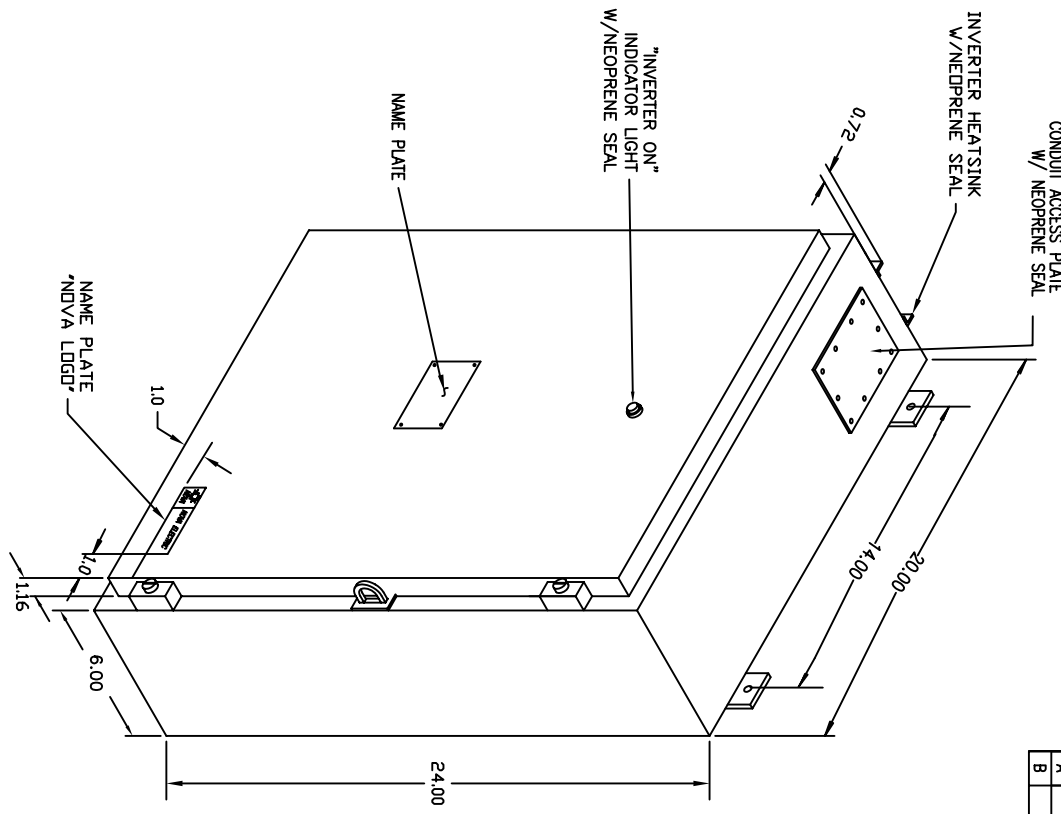


REVISIONS			
LTR	DESCRIPTION	DATE	APPROVED
A	COMPUTER DRAWING	9-30-03	JL
B	CH. TITLE	5-09-06	JL



- NOTES:
1. INVERTER CABINET HAS (4) MTG. EARS, THE BOTTOM (2) CANNOT BE SEEN IN THIS VIEW.
  2. FINISH: ANS# 61 GRAY, SEMI-GLOSS.
  3. ENCLOSURE TYPE: NEMA 12.

DIMENSIONS ARE AS SPECIFIED UNLESS OTHERWISE NOTED. DIMENSIONS IN INCHES. FRACTIONAL DIMENSIONS SHALL BE DECIMALS. ANGLES SHALL BE DECIMALS. DIMENSIONS SHALL BE PERMITTED TO VARY AS SHOWN. MATERIALS SHALL BE AS SPECIFIED.		THIS DRAWING CONTAINS INFORMATION THAT IS PROPRIETARY TO NOVVA ELECTRIC. IT IS TO BE KEPT IN CONFIDENCE AND NOT TO BE REPRODUCED OR TRANSMITTED IN ANY FORM OR BY ANY MEANS, ELECTRONIC OR MECHANICAL, INCLUDING PHOTOCOPYING, RECORDING, OR BY ANY INFORMATION STORAGE AND RETRIEVAL SYSTEM, WITHOUT THE EXPRESS WRITTEN PERMISSION OF NOVVA ELECTRIC.	
DESIGNED BY:	DATE:	DRAWN BY:	DATE:
NOVVA	8/20/91	J.S.	8/20/91
TITLE: DUTLINE DRAWING GH 500VA-1KVA 120 & 240 VDC INVERTER		CHECKED BY: DATE:	
FINISH: N/A		APPROVED BY: DATE:	
N/A		HS 8/20/91	
WWW.NOVVAELECTRIC.COM SCALE: NTS1 CAGE# 29019 SHEET 1 OF 1			

		NOVVA ELECTRIC 100 S. CENTRAL AVE. STE. 200 BERGENFIELD, N.J. 07621-2915	
SIZE:	REV:	985891	B