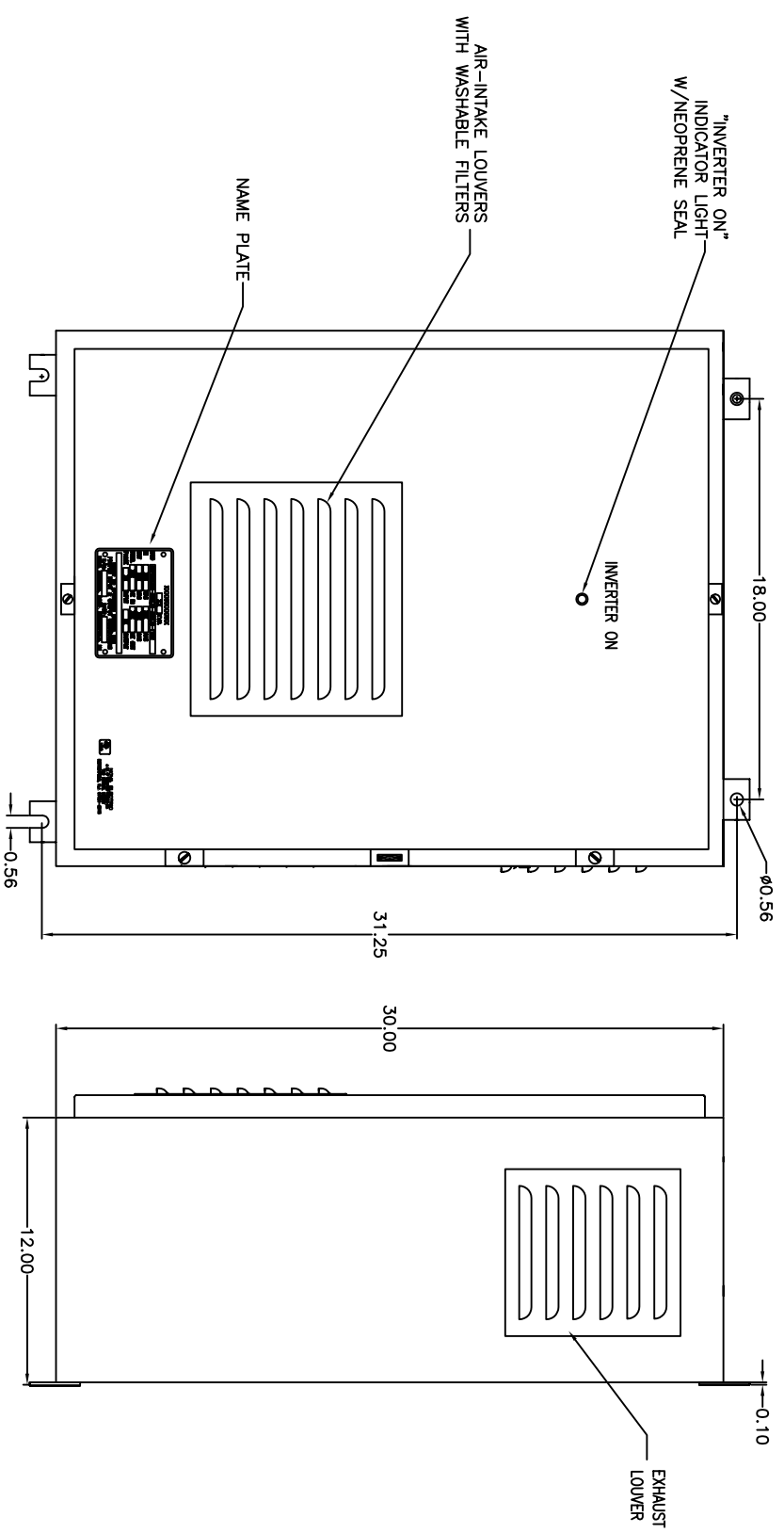
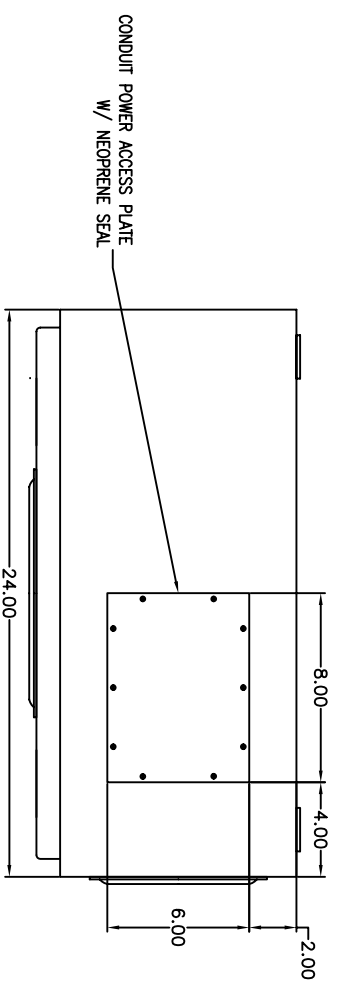


REVISIONS				
LTR	DESCRIPTION	BY	APP	DATE
-		-	-	-



- NOTES:
1. INVERTER CABINET HAS (4) MTG EARS.
 2. APPROXIMATE WEIGHT: 190 LBS (3 KVA), 200LBS (5 KVA).
 3. FINISH: ANSI #61 GRAY, SEMI-GLOSS.
 4. ENCLOSURE TYPE: NEMA 12, P/N SCE-302410LP

UNLESS OTHERWISE SPECIFIED: DIMENSIONS ARE IN INCHES TOLERANCES FRACTIONS DECIMALS ANGLES - .006 ± .010 .006 ± .02 1.50°		THIS DRAWING CONTAINS PROPRIETARY INFORMATION AND MAY NOT BE REPRO- DUCED OR TRANSMITTED IN ANY MANNER WITHOUT THE PER- MISSION OF NOVA ELECTRIC.		NOVA ELECTRIC A DIV. OF TECHNOLOGIC DRIVING INC. 100 SCHOOL STREET BERGENFIELD, N.J. 07621-2915	
MATERIAL:	N/A	DRAWN:	09/03/04	TITLE:	GHSK60-600 GHSK60-600 DUTYLINE DWG
FINISH:	N/A	CHECKED:	09/03/04	SIZE:	C
HTTP://WWW.NOVAELECTRIC.COM		APPROVED:	09/03/04	SCALE:	1
		M.L.		CAGE:	29019
				SHEET:	1 OF 1