

## Hand and Desk Tallies/Hand-Operated Counter M45 Series



ENM'S M-45 HAND TALLY is a 4 digit counter that fits in the palm of your hand. The low cost tally is perfect for traffic surveys, checking attendance, laboratory, sporting events and various other counting tasks.

Long life design and attractive chrome-plated steel combined with reliable function and good looks. The desk tally features a base mount for convenient desk or wall mounting.

The multi desk tally is offered in single based models ranging from two to ten Units. It is ideal for collecting various statistics. A quick reset knob is standard on all ENM TALLIES

### Specifications

Display:	4-digits
Figures:	Height -.15" white on black
Reset:	Knob reset on right side
Mounting:	Hand held or base mount
Case:	Chrome plated steel

### Features

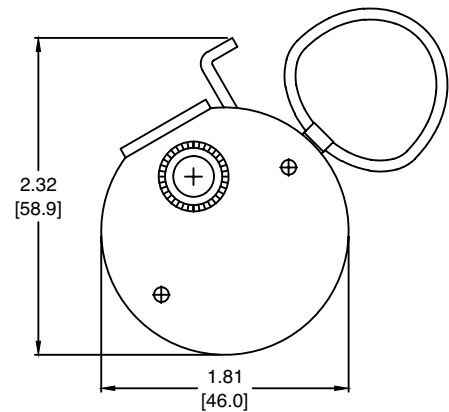
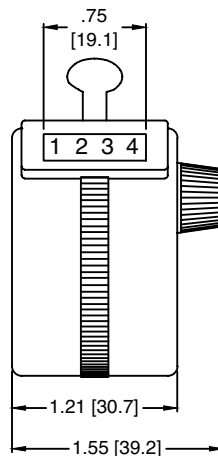
- Low cost
- Long life
- High Reliability
- Small size
- Ergonomic design
- 9999 Count capacity

- M45** Hand tally with finger ring  
**M4501** Desk tally w/metal base and finger ring  
**M4501NF** Desk tally w/metal base and no finger ring  
**M4502** 2-unit desk tally  
**M4503** 3-unit desk tally  
**M4504** 4-unit desk tally  
**M4505** 5-unit desk tally  
**M4506** 6-unit desk tally  
**M4507** 7-unit desk tally  
**M4508** 8-unit desk tally  
**M4509** 9-unit desk tally  
**M4510** 10-unit desk tally

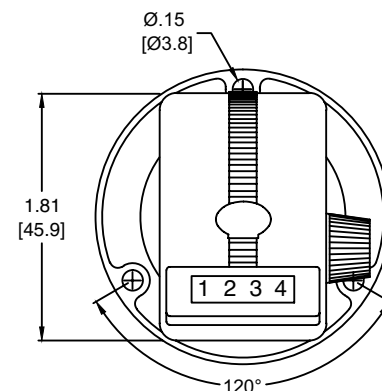
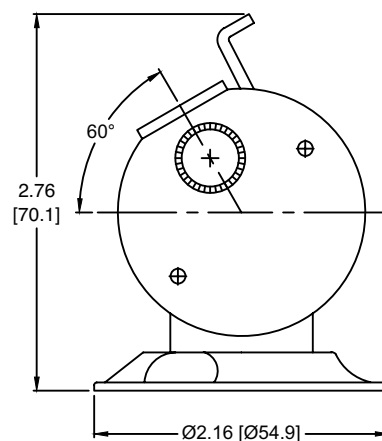
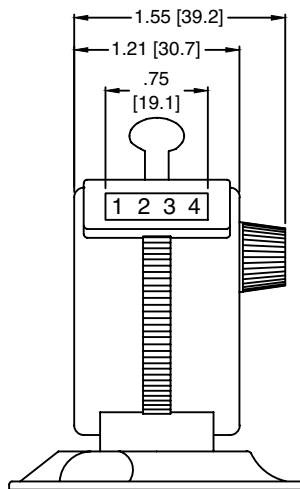
2013 ENM Co.®

### M45 Series

#### Hand Tally



#### Desk Tally



2013 ENM Co.®

#### LIMITED WARRANTY

ENM Company resettable electromechanical counters are warranted to the consumer to be free from defects in material and workmanship for a period of 1 year. All ENM products which fall within the warranty period due to defects in material or workmanship will be repaired or replaced, at ENM's option, without charge to the consumer when returned with proof of purchase to any authorized ENM dealer in the United States, transportation charges prepaid, provided there is no evidence of improper installation, tampering, or other abuse. All implied warranties, including any implied warranty of merchantability or fitness for a particular purpose, shall be limited in duration to the express warranty period specified above. ENM disclaims any liability for consequential damages due to breach of any written or implied warranty on its products. Datasheet information subject to change.