

# Electronic Hour Meter and Battery Discharge Gage



Series PT27

ENM introduces a new series PT27, that is a complete solid state battery discharge fuel gage and hour meter in one. The battery gage (BDI) is a 10 bar multi color LED display state of charge indicator. The timer features 6-digit, 7 segment LCD display. This model is ideal for electric vehicles application.

The right LED is lit when the battery is properly charged as battery state of charge decreases, consecutively successive LED's light up (one at a time).

The left most 2 LED's flash indicate empty (80% depth of charge). When the proper charging voltage is applied all the LED's display will scan indicating the charging system has begun. The meter will reset to full charge state when completed. The keyswitch input turns on and off the LED display. Monitoring the battery continues and the LCD hour meter display is unaffected by this input.

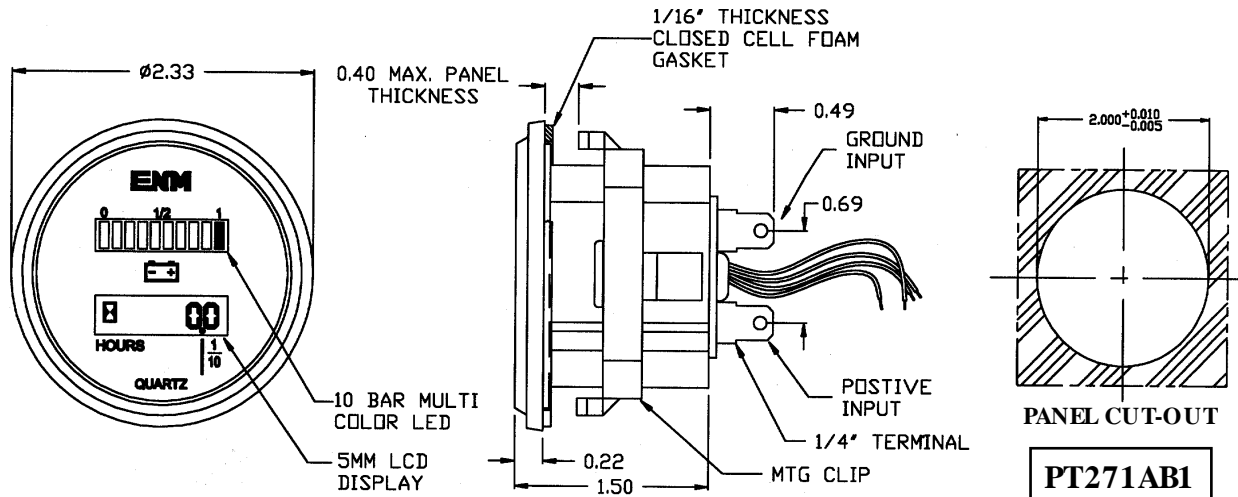
Note: The (Green and White wire) input sensing voltage connection should be as close to the battery as possible for accurate discharge inductor reading. When low voltage battery (Green wire) is in use the high voltage battery input (White wire) is left open and vice versa.

## Features

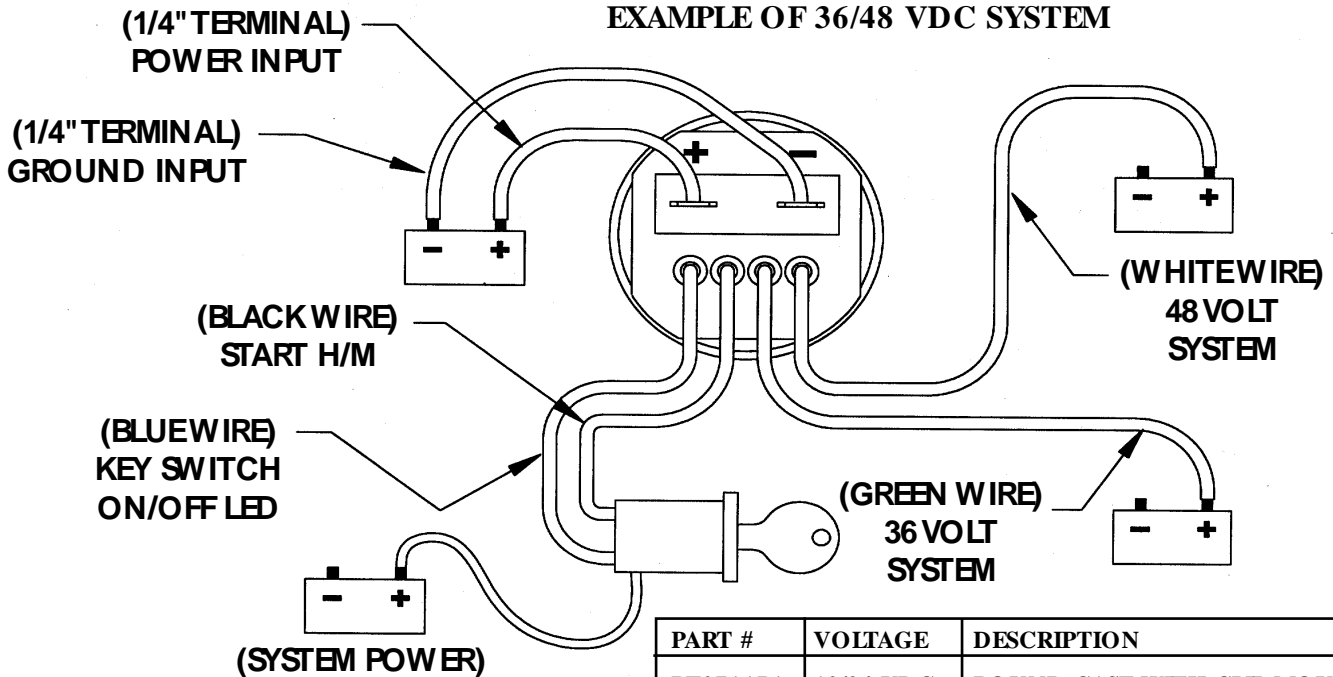
- High reliability
- Low cost and small size
- Low operating current
- Wide operating voltage and temperature range
- Solid state electronics
- Quartz Crystal
- Made in the U.S.A.

## Specifications

Capacity:	99999.9 Hour Meter, (BDI) 10 multi color LED
Character height:	Large 6-digits 5 mm
Operating voltage:	See Chart
Operating current:	30 mA nominal
Operating temperature:	Standard -10C to +65C (-22 F to + 149 F)
Accuracy:	Better than +/-0.01%
Configuration:	Round SAE Bezel with new push-on retaining ring. Other mounting styles are also available.



**EXAMPLE OF 36/48 VDC SYSTEM**



**NOTE:** STANDARD CABLE LENGTH IS 3 INCHES. CUSTOM CABLE LENGTH OR CONNECTOR IS OPTIONAL. ALL THE CONNECTIONS ARE MADE IN THE BACK OF THE METER.

PART #	VOLTAGE	DESCRIPTION
PT271AB1	12/24 VDC	ROUND CASE WITH CLIP MOUNT
PT272AB1	24/36 VDC	ROUND CASE WITH CLIP MOUNT
PT273AB1	36/48 VDC	ROUND CASE WITH CLIP MOUNT
PT274AB1	70/80 VDC	ROUND CASE WITH CLIP MOUNT

**LIMITED WARRANTY**

ENM Company products are warranted to the consumer to be free from defects in material and workmanship for a period of 1 year. All ENM products which fall within the warranty period due to defects in material or workmanship will be repaired or replaced, at ENM's option, without charge to the consumer when returned with proof of purchase to any authorized ENM dealer in the United States, transportation charges prepaid, provided there is no evidence of improper installation, tampering or other abuse. All implied warranties, including any implied warranty of merchantability or fitness for a particular purpose, shall be limited in duration to the express warranty period specified above.

ENM disclaims any liability for consequential damages due to breach of any written or implied warranty on its products.