

Self-Powered Electronic Hour Meter, Series L6



L6 Series

ENM's Series L6 AC/DC hour meter features a 7 digit LCD display with self-powered CMOS circuit. Powered by an internal lithium battery, these timers have a front panel push-button reset and an external electronic reset. There are 4 different operating models available. External connections are made by a screw terminal connectors. Some applications for this meter can be for machine run time indication, machine down time indication, vehicle engine time running display, etc.

The standard unit comes with a spring clip and a NEMA 4 gasket for a water sealed panel mount. A choice of two bezels are included for larger panel cut-outs. Furthermore, there is backlighting available.

Features

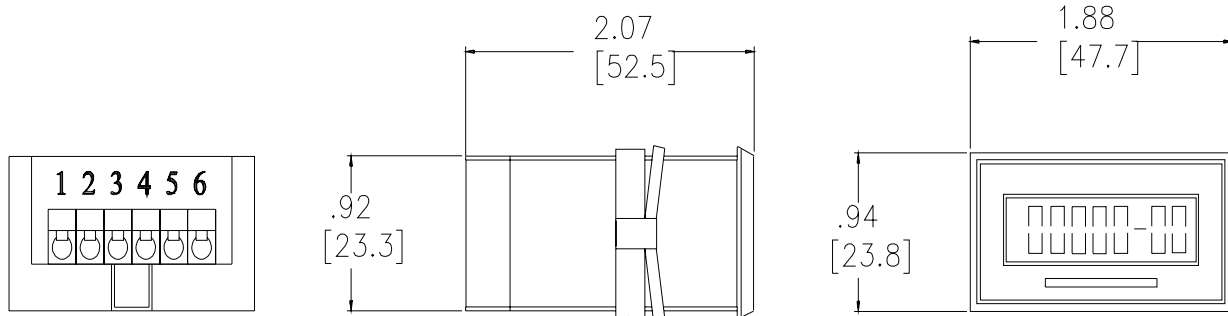
- Use of the latest CMOS circuitry achieves an expected battery life of 10 years
- 9 mm black character high contrast LCD display
- 4 timing modes available: seconds, minutes and seconds, hours/minutes or hours/hundredths
- Triggering from any voltage between 10-240 volts AC or 5-110 VDC \pm 10%.
- Front panel sealed to NEMA 4(IP65) rating (gasket included)
- Suitable for spring clip mounting to DIN 43700 or screw mounting
- Remote start/stop, enable/disable for manual pushbutton reset or external electronic reset
- 5 VDC backlighting

Specifications

Power Supply:	Internal lithium battery, exp. life 10 years
Display:	7 digit black LCD, .354" (9mm) characters
Count Range:	9999999 display with rollover to 0
Manual Reset Enable:	Refer to drawing
External Reset:	10-110VDC \pm 10%, 10-240VAC \pm 10%, 50 ms minimum length
Timing Input:	10-110VDC \pm 10%, 10-240VAC \pm 10%, 1 second minimum pulse width
Timing Mode Select:	Refer to drawing
Mounting Configuration:	Panel mounting with plastic spring clip or optional bezel
Operating Temperature:	-10° C to 60° C (15° F to 140° F)

L6 Hour Meter

(Dimensions are in inches. Dimensions in brackets are in millimeters.)

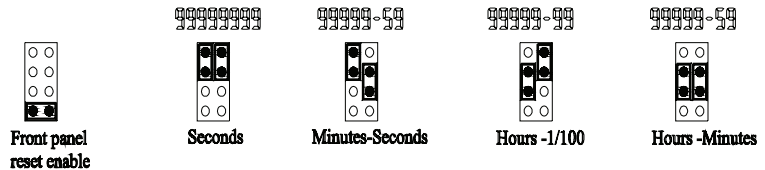


View back side

Mounting Clip

Pin#

- 1 High voltage input
- 2 High voltage external reset input
- 3 Common for pin 1 & 2
- 4 Directional input
- 5 External supply for backlight (5VDC only)
- 6 0V, common for pin 4 & 5



ENM
L6C

DESCRIPTION

8-Digit LCD counter with 5-240 volt with screw terminal block, spring clip, and NEMA gasket.

Accessories Included:

- 25mm x 50mm panel adapter
- 60mm x 50mm two-hole bezel for panel mount

Warning:

This product contains a lithium battery and must not be cut open, incinerated, or exposed to temperatures beyond -10°C to 60°C (15°F to 140°F).

2008 ENM Co.®

LIMITED WARRANTY HOUR METERS

ENM Company hour meters are warranted to the consumer to be free from defects in material and workmanship for a period of 1 year. All ENM products which fall within the warranty period due to defects in material or workmanship will be repaired or replaced, at ENM's option, without charge to the consumer when returned with proof of purchase to any authorized ENM dealer in the United States, transportation charges prepaid, provided there is no evidence of improper installation, tampering, or other abuse. All implied warranties, including any implied warranty of merchantability or fitness for a particular purpose, shall be limited in duration to the express warranty period specified above. ENM disclaims any liability for consequential damages due to breach of any written or implied warranty on its products. Datasheet information subject to change.