

Vibration Activated Hour Meter, Series T54



T54AI



T54BI



T54CI

ENM releases a new Series T54 LCD Vibration Activated Hour Meter. The hour meter features 6-digits with hour glass as running indicator and operates only when it is introduced to engine vibration or any machine vibration.

This meter can be installed anywhere on a vehicle with no wired connection or power source to operate. The internal battery supplies all the necessary power for the gauge to operate for years of service. The total operating hours are always shown on the LCD display.

This compact tamper proof meter is sealed against the environment to provide years of service.

Features

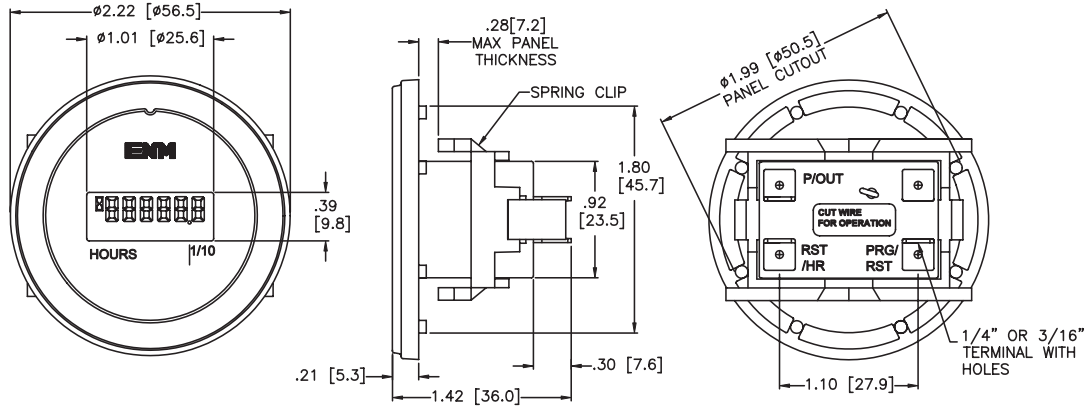
- No External Power Source Required
- Total Hours
- Vibration Activated Detection System
- Display Is Always On
- Very High Shock and Vibration Specs
- High Reliability
- Solid State Electronics
- Quartz Crystal
- Made in the U.S.A

Specifications

Display Reading:	6-Digits 99999.9 Hours
Display Height:	.196" [5MM]
Accuracy:	Better than $\pm 0.01\%$ over entire range
Temperature:	Standard -25°C to +70°C (-13F° to +158°F)
Battery Life:	Internal Lithium Battery 8 years plus non-replaceable
Vibration Resistance:	Withstands 10 to 75Hz @ 1 to 8 g's
Termination: For Resettable	1/4" or 3/16" blade terminals, wire leads optional
Mounting Configuration:	Front panel mounts with push on retaining clip, panel mount with 2 holes (front or back) and round See reverse side for detail

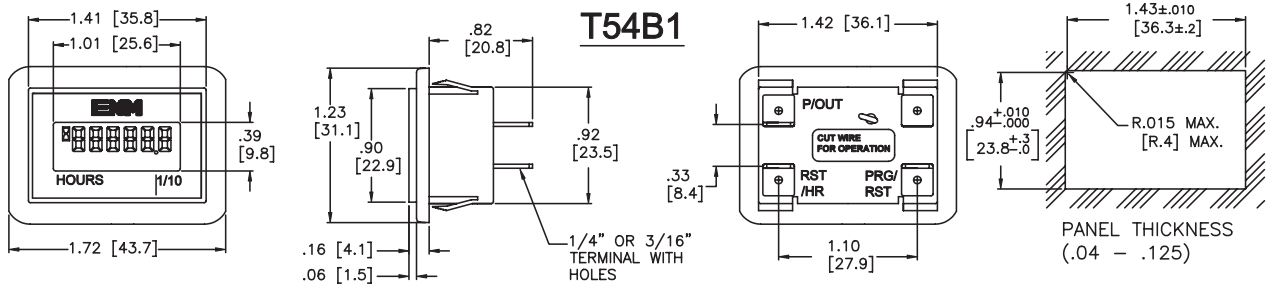
2003 ENM Co.® covered by patents including No. 29/266,375

T54A1 Series



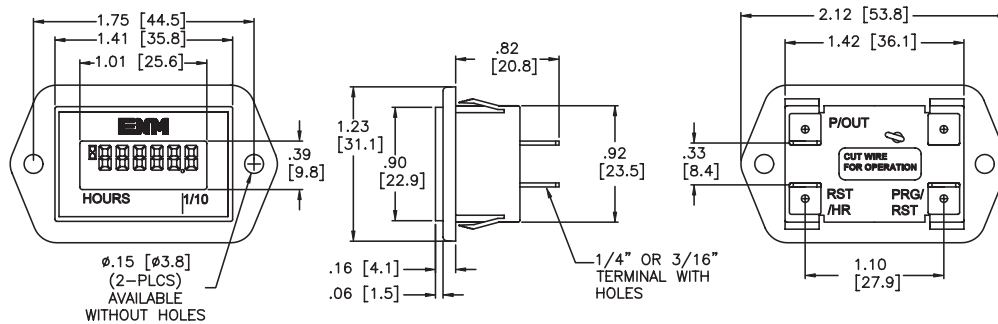
T54A1

T54B1 Series



T54B1

T54C1 Series



T54C1

ENM Co.® is a registered trademark of the ENM Company

LIMITED WARRANTY HOUR METERS

ENM Company hour meters are warranted to the consumer to be free from defects in material and workmanship for a period of 10,000 operating hours or for a period of 1 year, whichever first occurs. All ENM products which fall within the warranty period due to defects in material or workmanship will be repaired or replaced, at ENM's option, without charge to the consumer when returned with proof of purchase to any authorized ENM dealer in the United States, transportation charges prepaid, provided there is no evidence of improper installation, tampering, or other abuse. All implied warranties, including any implied warranty of merchantability or fitness for a particular purpose, shall be limited in duration to the express warranty period specified above. ENM disclaims any liability for consequential damages due to breach of any written or implied warranty on its hour meter. Datasheet information subject to change.