



Series L13:

Time Range: 99999h59m/99999.99h

L13A1A = 10-260 VAC/DC WITHOUT BACKLIGHT
L13A2A = 0-0.7 VDC (NPN) WITHOUT BACKLIGHT
L13A3A = 4-30 VDC (PNP) WITHOUT BACKLIGHT
L13A1B = 10-260 VAC/DC WITH BACKLIGHT
L13A2B = 0-0.7 VDC (NPN) WITH BACKLIGHT
L13A3B = 4-30 VDC (PNP) WITH BACKLIGHT

Time Range: 9999h59m59s/999999.9s

L13B1B = 10-260 VAC/DC WITHOUT BACKLIGHT
L13B2B = 0-0.7 VDC (NPN) WITHOUT BACKLIGHT
L13B3B = 4-30 VDC (PNP) WITHOUT BACKLIGHT
L13B1A = 10-260 VAC/DC WITH BACKLIGHT
L13B2A = 0-0.7 VDC (NPN) WITH BACKLIGHT
L13B3A = 4-30 VDC (PNP) WITH BACKLIGHT

ENM's series L13 is low cost and have high efficiency with 8 digits LCD display. The unit is powered by a lithium battery which make the digits always readable. The hour meter is very accurate with a very short activation time due to the 0.1 second synchronisation. The unit also have an optional backlighting which is support by an external power supply.

This instrument is ideal for any application that requires reliable time keeping and services maintenance schedule's in a small space.

SPECIFICATIONS:

Digit Height:	8-digits, 8mm LCD
Operating Voltage:	Input range 10-260 VAC/DC 0-30 VDC (see reverse side for detail)
Accuracy:	100 ppm
Temperature:	Operating -10C to +55C Ambient -10 to +60C Storage -20 to +70C
Protection:	IP 65 front
Weight:	approximately 50g
Reset:	manual and electrical
Time Range:	0.1 second to 10,000 hrs
Configuration:	See reverse side for detail

FEATURES:

- Low power Consumption
- Low cost and small size
- Silent operating, No moving Parts
- Optional backlighting
- Solid State electronics
- Wide operating Temperature and voltage
- Very high accuracy: 100 ppm
- 100% sealed
- High reliability
- Polarity protected
- Non-replaceable lithium battery (8 years @20°C)

2006 ENM co.

ENM

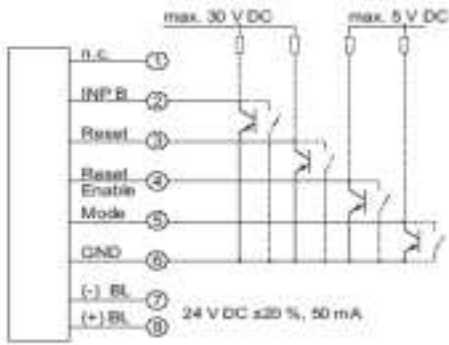
ENM Company
5617 Northwest Highway
Chicago, IL. 60646
Phone: (773)775-8400 FAX: (773)775-5968
WWW.ENMCO.COM

Series L13

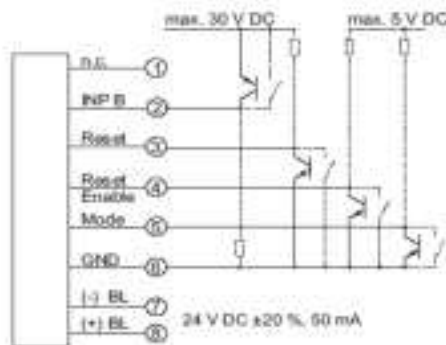
Dimensional Data

Connecting diagram:

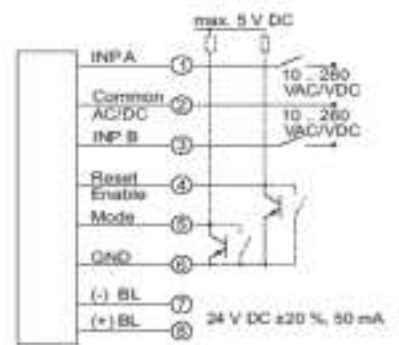
DC type:



DC type:



AC type:



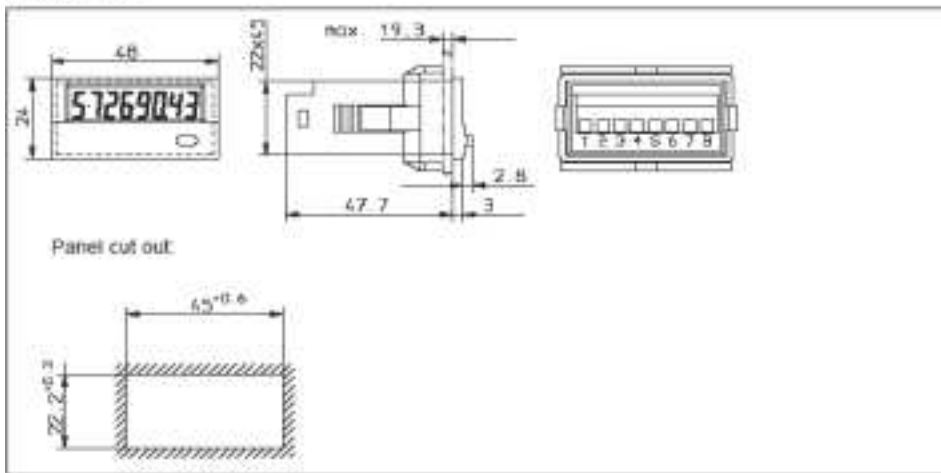
BL = backlighting

NPN Inputs

PNP Inputs

AC/DC inputs

Dimensions:

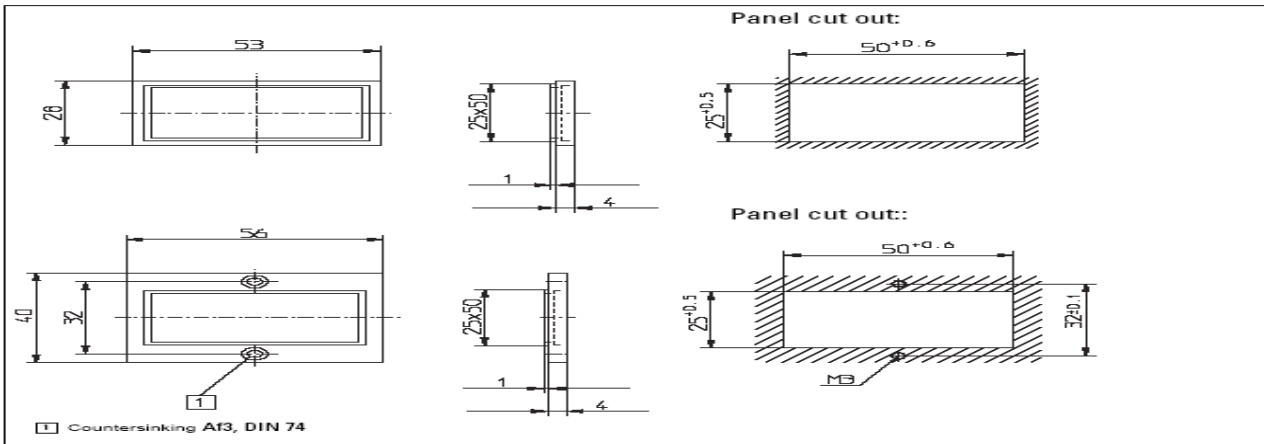


Display:

Time ranges and display

Time range	Display
99999 h 59 m (134)	99999-59
99999.99 h (134)	99999-99
9999 h 59 m 59 s (134)	9999.59.59
9999999.9 s (135)	9999999.9

Frame dimensions:



2006 ENM co.

ENM

ENM Company

5617 Northwest Highway

Chicago, IL. 60646

Phone: (773)775-8400 FAX: (773)775-5968

WWW.ENMCO.COM