

Wireless Motion Detector Counter C12 Series



Wireless People Counter
C12B0A01

ENM's C12 series is a LCD counter with an integrated motion detector. The unit is operated by 4 C batteries and can be mounted easily on a wall or other flat surfaces.

The unit can be use as part of a simple security system where you can keep track of events such as door opening/closing, windows being open, and so on. It can also be use to monitor other infrequent events with the only restriction being that there must be at least 10 to 15 seconds buffer in between events.

Features

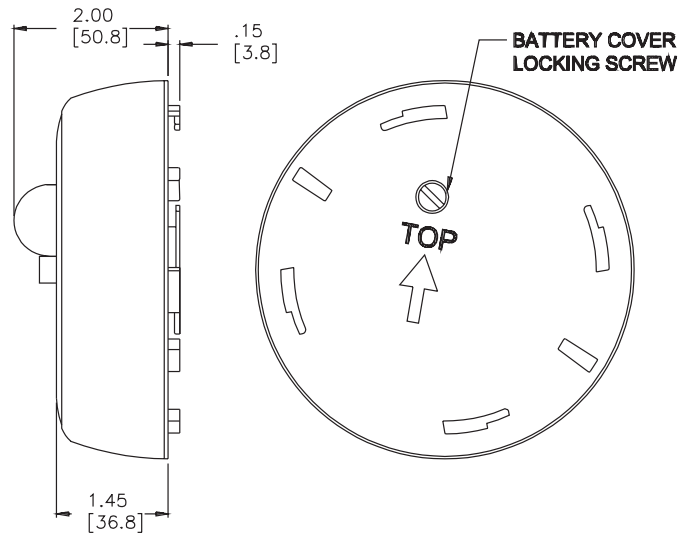
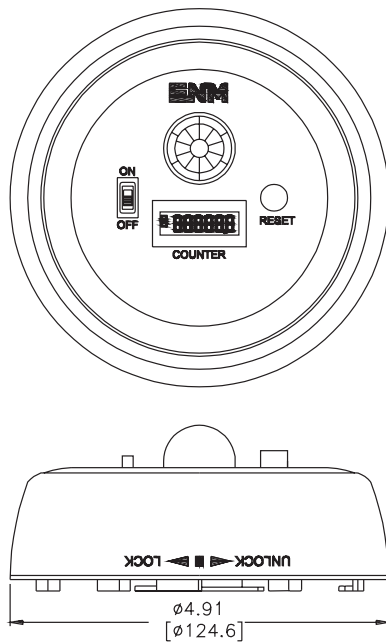
- Battery operated
- Low power
- Easy to read LCD
- Easy installation
- Resettable

Specifications

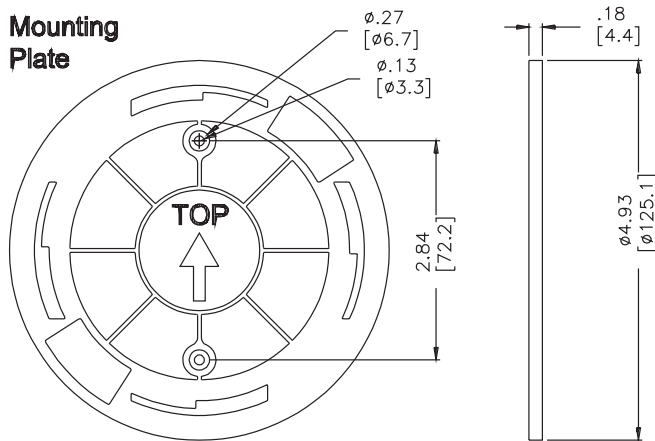
Display Reading:	6 digits LCD
Digit Height:	5 mm
Operating Voltage:	5 VDC minimum (4 C Battery)
Operation current:	~5 mA maximum
Accuracy:	10-15 seconds delay between counts
Memory:	CMOS EEPROM
PIR Sensor:	20 ft range maximum 140° detection range
Mounting Configuration:	Surface mount (Hardware included)
Reset:	Reset button on front
Power:	On/Off switch

C12 Series

Motion Counter



Mounting Plate



2010 ENM Co.®

LIMITED WARRANTY

ENM Company resettable electromechanical counters are warranted to the consumer to be free from defects in material and workmanship for a period of 1 year. All ENM products which fall within the warranty period due to defects in material or workmanship will be repaired or replaced, at ENM's option, without charge to the consumer when returned with proof of purchase to any authorized ENM dealer in the United States, transportation charges prepaid, provided there is no evidence of improper installation, tampering, or other abuse. All implied warranties, including any implied warranty of merchantability or fitness for a particular purpose, shall be limited in duration to the express warranty period specified above. ENM disclaims any liability for consequential damages due to breach of any written or implied warranty on its products. Datasheet information subject to change.