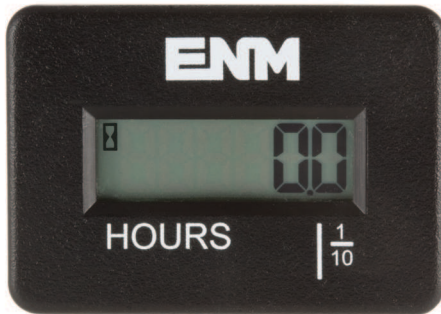


Electronic LCD Hour Meter With Two Maintenance Reminders **TB44 Series**



TB44D65A 4.5-60 VDC/VAC 50/60 Hz
TB44D69A 115-275 VDC/VAC 50/60 Hz

ENM's Series TB44 LCD 6-digit's hour meter contains two factory pre-programmed flash alert maintenance reminder's. The flash alert tells the operator when it's time to perform service. The meter is self-powered keeping total running time displayed at all times.

The meters are available for the OEM customer with the desire for preset time intervals. The meter is 100% epoxy encapsulated and protected from shock and vibration to keep out the harshest environments plus provide years of service.

This instrument is ideal for any application that requires reliable time keeping and service maintenance schedule's in a small space.

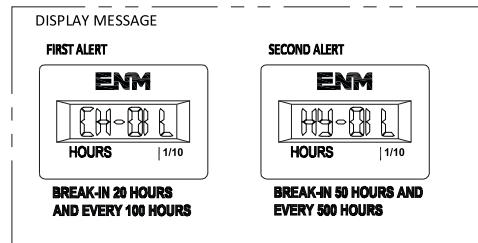
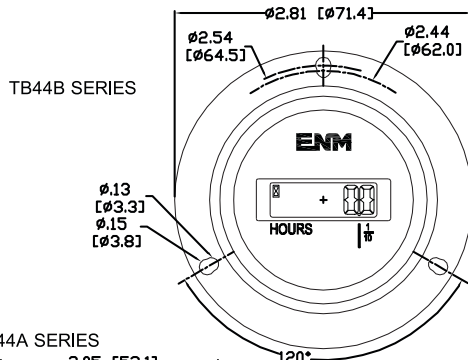
Features

- Lithium battery (Non-replaceable)
- Display always "on"
- 100% sealed (IP67)
- High shock and vibration specs.
- Polarity insensitive
- EEPROM units available
- Special flash alert programming
- Special spade orientation
- Silent operating, no moving parts
- Suit various AC/DC applications
- Solid state electronics
- Quartz Crystal
- Made in the U.S.A.

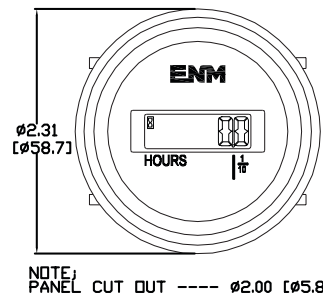
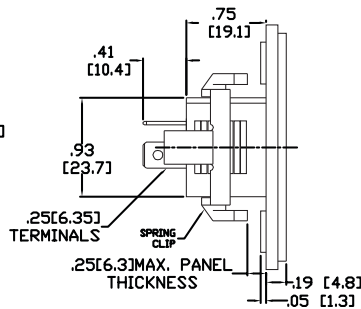
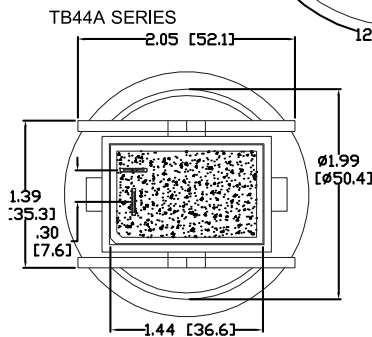
Specifications

Display Reading:	99999.9 Hours meter and Hour glass as running indicator
Digit Height:	6-digits, (.276") [7.0mm] LCD
Operating Voltage:	Input range 4.5V-60 VAC/DC and/or 115-275 VAC/DC 48-440 Hz
Power Consumption:	app. 5mA maximum @ 60VDC
Accuracy:	Better than +/- 0.01% over entire range
Temperature:	Standard -30C to +71°C (-22°F to +159°F)
Humidity:	95% SAE J1378
Vibration Resistance:	SAE J1378
Termination:	1/4" male blade terminals see reverse side for more detail.
Mounting Configuration:	See reverse side for detail

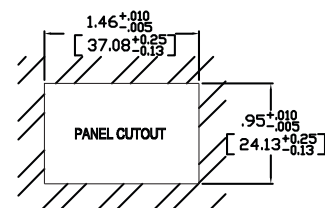
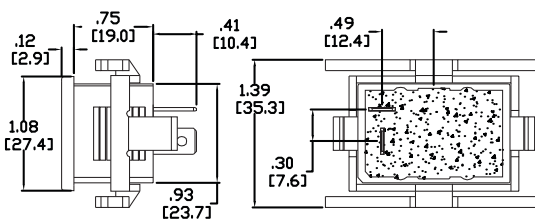
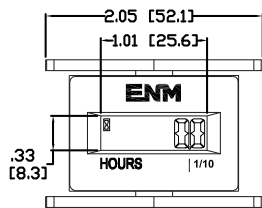
TB44 Series



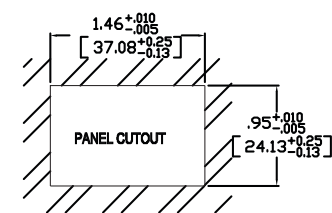
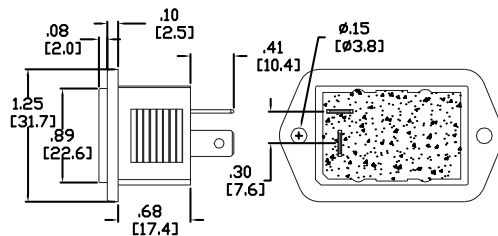
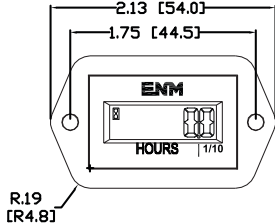
Note: For Power Input use with Packard # 2973781 or quick disconnect



TB44F SERIES



TB44G SERIES



2012 ENM Co.®

LIMITED WARRANTY

ENM Company resettable electromechanical counters are warranted to the consumer to be free from defects in material and workmanship for a period of 1 year. All ENM products which fall within the warranty period due to defects in material or workmanship will be repaired or replaced, at ENM's option, without charge to the consumer when returned with proof of purchase to any authorized ENM dealer in the United States, transportation charges prepaid, provided there is no evidence of improper installation, tampering, or other abuse. All implied warranties, including any implied warranty of merchantability or fitness for a particular purpose, shall be limited in duration to the express warranty period specified above. ENM disclaims any liability for consequential damages due to breach of any written or implied warranty on its products. Datasheet information subject to change.