

Electronics LCD Hour Meter/Counter Combo T39 Series



T39FC48, 85-265VAC, 90-360 VDC
T39FC49, 10-70 VDC

ENM's Series T39 LCD 6-digits hour meter and up counter instrument is ideal for any application that requires recording both time measurement and event count for maintenance schedule.

The two displays meter can operate independently or in parallel. This compact tamper-proof meter is protected from the environment to provide years of service.

Accumulated time hours and counts are stored on powerless nonvolatile data backup using CMOS EEPROM technology, where small space and reliable meter is required with memory that does not rely on battery.

Features

- Non-volatile memory (no battery)
- High reliability
- Totally sealed IP67
- Low cost and small size
- Low operating current
- Wide operating voltage and temperature range
- Interlock input (the reset input are disabled)
- 10 pins connector wire harness included
- Polarity insensitive for the DC power input
- Solid State Electronics
- Quartz Crystal
- ISO 9001:2000 Certified
- MADE IN THE USA

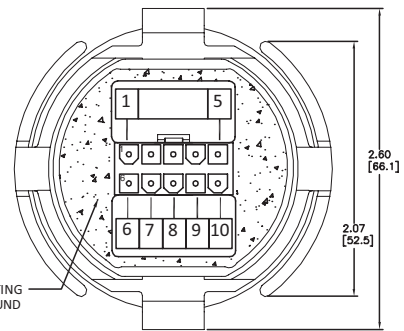
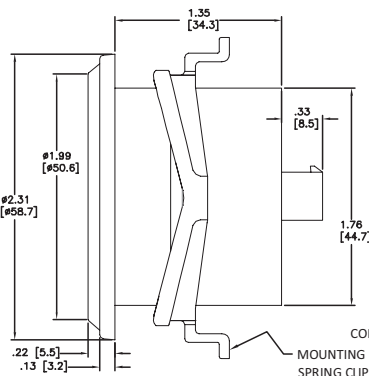
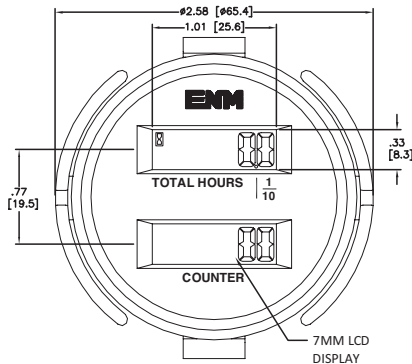
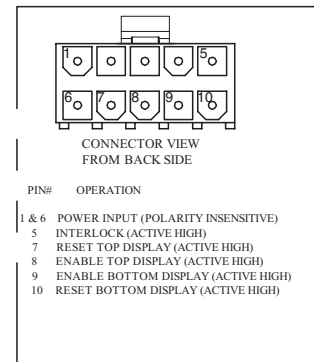
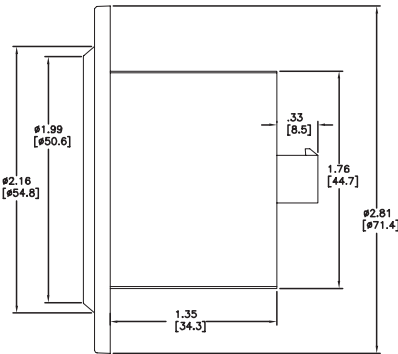
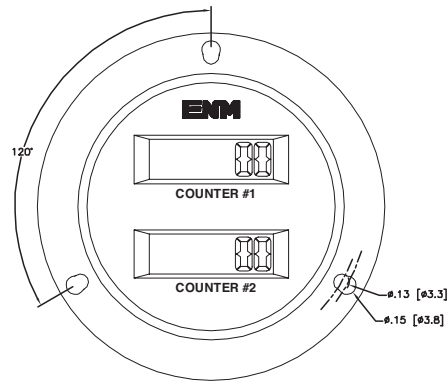
*Non-reset or enable are available. For other special functions please contact ENM Sales Representative for more information

Specifications

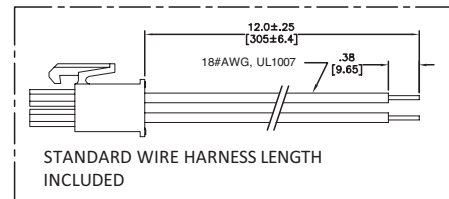
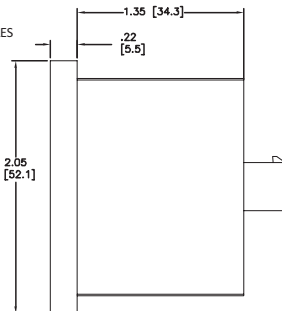
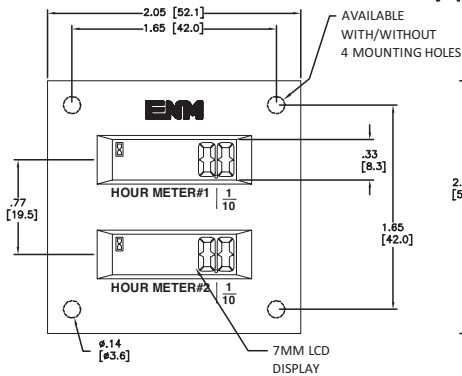
Meter Combinations:	Dual Hour Meter Dual Counter Top Hour Meter/ Bottom Counter
Possible Display Reading:	99999.9 Hours meter (00 to 999999) Up counter Hours only (999999) Minutes and seconds (9999.59) Hours and minutes (9999.59) Hours, minutes and seconds (99.59.59) Hours and 100th (9999.99) Automatic recycle to zero
Digit height:	6-digits, (.275") [7MM] LCD
Operating Voltage:	85-265 VAC 50/60 Hz and 90-360 VDC 10-70 VDC 10-70 VDC with 12.9 VDC voltage detection switch (Other levels are available) (DC only)
Count Speed:	20 C.P.S. for standard for AC/DC, 250 C.P.S. speed count is available for DC
Power Consumption:	app. 20MA, MAX. @ 60VDC
Accuracy:	Better than +/- 0.01% over entire range
Temperature:	Standard -40C to +85C (-40F to +185F)
Vibration Resistance:	Withstands 10 to 75Hz @ 1 to 8 G's
Mounting Configuration:	Round SAE Bezel with push on retaining clip. Other mounting styles are also available. See reverse side.

2013 ENM Co.®

T39 Series



Recommended panel cutout 2.0 [50.8]



2013 ENM Co.®

LIMITED WARRANTY

ENM Company resettable electromechanical counters are warranted to the consumer to be free from defects in material and workmanship for a period of 1 year. All ENM products which fall within the warranty period due to defects in material or workmanship will be repaired or replaced, at ENM's option, without charge to the consumer when returned with proof of purchase to any authorized ENM dealer in the United States, transportation charges prepaid, provided there is no evidence of improper installation, tampering, or other abuse. All implied warranties, including any implied warranty of merchantability or fitness for a particular purpose, shall be limited in duration to the express warranty period specified above. ENM disclaims any liability for consequential damages due to breach of any written or implied warranty on its products. Datasheet information subject to change.

SERIES T39 HOUR/COUNTER INSTRUCTION (85VAC-265VAC) OR (10-70VDC)

IMPORTANT NOTE:

IF THE DISPLAY IS AN HOUR METER THEN IT WILL REQUIRE A CONSTANT POWER SOURCE. IF THE DISPLAY IS A COUNTER THEN IT WILL REQUIRE A PULSE INPUT WITH MINIMUM DURATION OF 50ms.

TO POWER UP THE METER

- CONNECT PIN #6 AND PIN #1 TO THE AC LINE POWER SOURCE FOR AC UNIT OR DC UNIT TO DC POWER SOURCE ON THE BACK OF UNIT. (POLARITY INSENSITIVE)
- TURN POWER ON, THE METER SHOULD DISPLAY (00 FOR COUNTER, 0.0 FOR HOUR METER) ON BOTH LCD SCREEN.

TO ACTIVATE OR ENABLE METER (REFER TO NOTE UP TOP)

- CONNECT HOT SIDE (FOR AC UNIT)/POSITIVE (FOR DC UNIT) TO PIN #8 FOR TOP DISPLAY
- CONNECT HOT SIDE (FOR AC UNIT)/POSITIVE (FOR DC UNIT) TO PIN #9 FOR BOTTOM DISPLAY
- THE HOUR METER SHOULD START BLINKING/COUNTER SHOULD INCREMENT ONCE PER PULSE

TO RESET THE DISPLAY

- CONNECT PIN #7 MOMENTARILY TO THE AC LINE (HOT SIDE), FOR DC UNIT TO THE POSITIVE POWER SOURCE TO RESET TOP DISPLAY
- CONNECT PIN #10 MOMENTARILY TO THE AC LINE (HOT SIDE), FOR DC UNIT TO THE POSITIVE POWER SOURCE TO RESET BOTTOM DISPLAY

INTERLOCK CONNECTION

- CONNECT PIN #5 TO THE AC LINE (HOT SIDE), FOR DC UNIT POSITIVE POWER SOURCE TO PREVENT UNAUTHORIZED PERSONNEL FROM RESETTING DISPLAYS.