

# Electronic Miniature AC Hour Meter, **Series T51**



**T51D**



**T51E**

### Features

- Solid State Electronic Drive Circuit
- Quartz Crystal for Accurate Timing
- Absolutely Will Not Lose Count
- High Impact, Tamperproof Plastic Case
- Totally Sealed
- Quiet Operation
- One Model Dual Frequency Capability (50/60 Hz)
- UL, cUL, and CE Recognized
- Indicates Operating Time in Hours and Tenths
- Made in the U.S.A.
- ISO 9001:2008 Certified

ENM's Series T51 electronic AC Hour Meter is a low cost reliable hour meter incorporating the latest state-of-the-art in electronics. Its quartz-crystal time base insures accurate long term time-keeping.

A reliable electromechanical wheel-type indicator is used to store accumulated hours.

This compact tamperproof meter is sealed against the environment to provide years of service.

The T51 elapsed time indicator was designed for use on test and recording equipment, for providing maintenance control, for establishing warranty programs, for measuring machine utilization and production time, or for any application where time-in-use is to be determined.

### Specifications

Time Scale:	6-digits 99,999.9 hours Automatic recycle to zero
Figures:	Hours – white on black Tenths – red on white Height – .125"
Operating Voltage:	24, 115, 230, and 400 vac
Frequency:	50 and 60 Hz
Power Consumption:	Less than .04 Watts
Accuracy:	Better than +/- 0.02% over entire range
Temperature:	Standard -30°C to +65°C (-22°F to +149°F) Special -40°C to +85°C (-40°F to +185°F)
Vibration Resistance:	Withstands 10 to 75 Hz @ 1 to 8 g's
Termination:	¼" male blade terminals
Configuration:	Front panel mounts with new push-on retaining clip, Panel mount with 2 holes (front or back)

2013 ENM Co.®

### Standard Features

1. Totally Sealed
2. 6 Digits Total, 5 Hour Digits, White on Black, 1/10 Hour Digit
3. Rectangular Case with 1/4" Terminals

#### T51D - Black Case + Rectangular Flange for Panel Mounting with Plastic Spring Clip

- 1 230 Volts AC, 50/60 Hz
- 2 115 Volts AC, 50/60 Hz
- 4 24 Volts AD, 50/60 Hz

#### T51E - Black Case + Rectangular Flange for Back of Panel Mounting with 2 Screws

- 1 230 Volts AC, 50/60 Hz
- 2 115 Volts AC, 50/60 Hz
- 4 24 Volts AD, 50/60 Hz

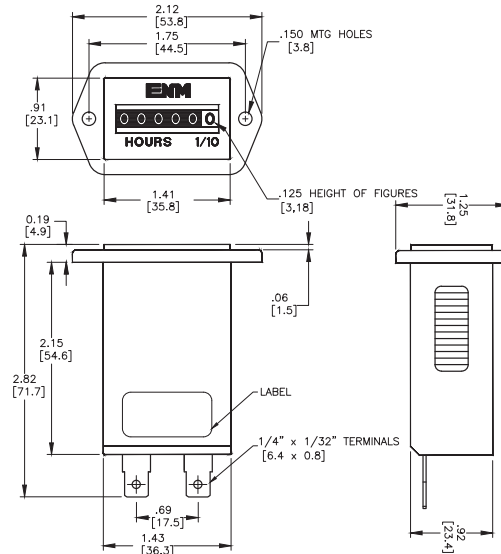
#### T51G - Black Case + Rectangular Flange for Panel Mounting with Plastic Spring Clip

- 1 230 Volts AC, 50/60 Hz
- 2 115 Volts AC, 50/60 Hz
- 4 24 Volts AD, 50/60 Hz

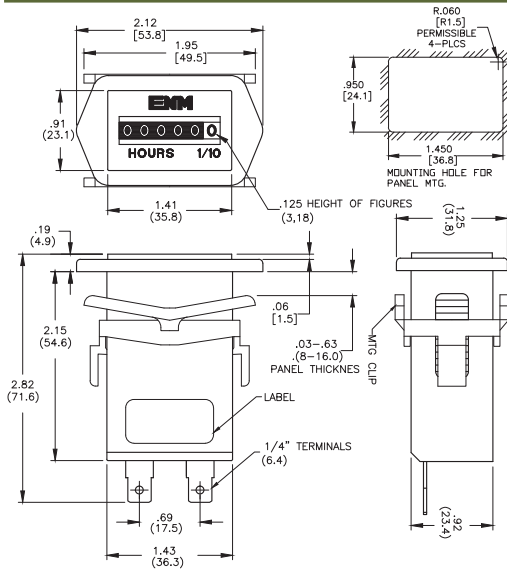
Available to facilitate installation are:  
Two 12" long wires with insulated quick disconnects  
and quick disconnect screw terminals.

(ALL DIMENSIONS IN PARENTHESIS ARE MM.)

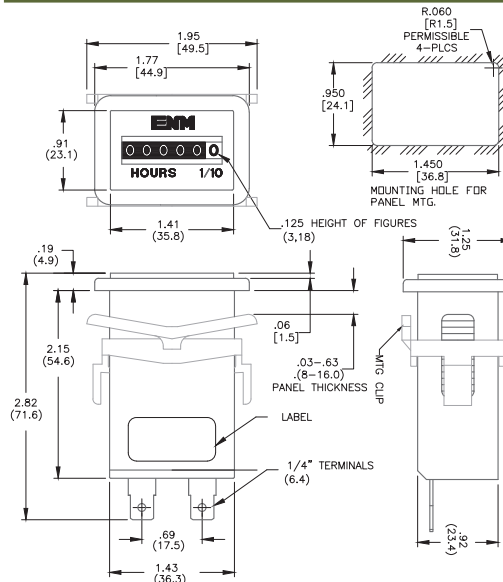
### Series T51E Back of Panel Mounting



### Series T51G Panel Mounting



### Series T51D Panel Mounting



2013 ENM Co.®

#### LIMITED WARRANTY

ENM Company hour meters are warranted to the consumer to be free from defects in material and workmanship for a period of 10,000 operating hours or for a period of 3 years, whichever first occurs. All ENM products which fall within the warranty period due to defects in material or workmanship will be repaired or replaced, at ENM's option, without charge to the consumer when returned with proof of purchase to any authorized ENM dealer in the United States, transportation charges prepaid, provided there is no evidence of improper installation, tampering, or other abuse. All implied warranties, including any implied warranty of merchantability or fitness for a particular purpose, shall be limited in duration to the express warranty period specified above. ENM disclaims any liability for consequential damages due to breach of any written or implied warranty on its hour meter. Datasheet information subject to change.