

Electronic Hour Meter, DC Hour Meter T40 Series



T40A45, T40B45

ENM's T40 Series: Low Power DC Hour Meter is the answer to applications requiring a low power, low cost reliable hour meter. This compact tamperproof meter is sealed against the environment to provide years of service.

Accumulated hours are stored in the mechanical indicating counter; therefore, no battery is required to maintain elapsed time.

The T40 contains an input diode for polarity protection.

A quartz-crystal time base insures accurate long term timekeeping.

Specifications

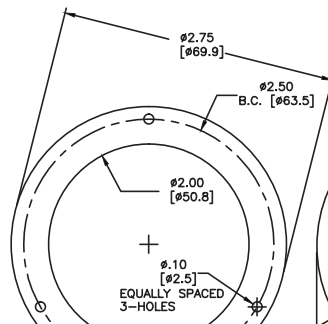
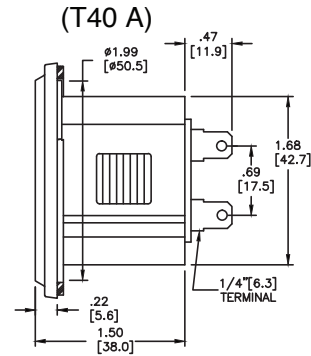
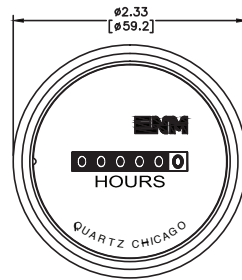
Time Scale:	6-digits 99,999.9 Hours Automatic recycle to zero
Figures:	Hours - White on black Tenths - Black on white Height - 0.140"
Operation Voltage:	Extended range 4-40 VDC, polarity protected and 10-80 vdc, polarity insensitive
Power Consumption:	Less than .03 Watts at 12V DC .7 Watts at 48V DC
Accuracy:	Better than $\pm 0.02\%$ over entire range
Temperature:	-40°F to +185°F (-40°C to +85°C)
Vibration Resistance:	Withstands 10-80 Hz at 20g's max. (SAE J1378)
Shock:	55g at 9-13 ms (SAE J1378)
Humidity:	95% (SAE J1378)
Terminations:	1/4" male blade terminals
Protected from:	Alternator load dump inductive switching
Configuration:	Round SAE Bezel with new push-on retaining ring Round 3-Hole Bezel

Features

- Low Power Consumption
- Solid State Electronic Drive Circuit
- Quartz-Crystal for Accurate Timing
- Non-reset
- UL/cUL Recognized, CE & RoHS Compliant
- High Impact, Tamperproof Plastic Case
- IP67
- Indicates Operating Time in Hours and Tenths
- No Battery Back-Up Required
- Quiet operation
- MADE IN THE U.S.A.

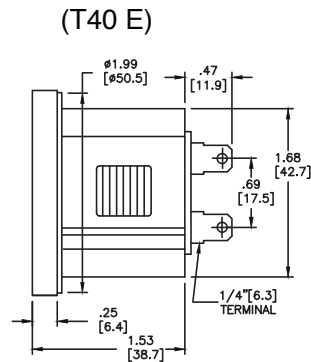
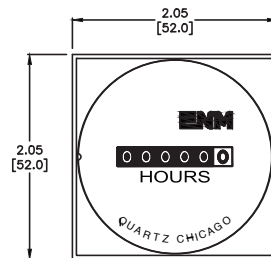
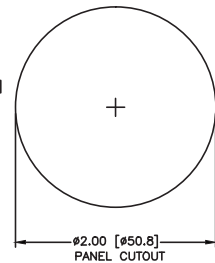
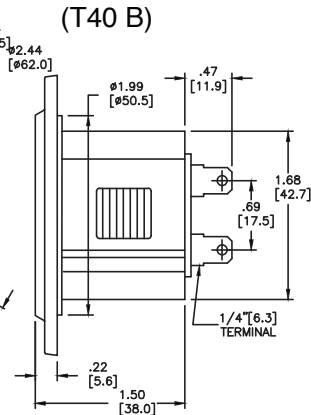
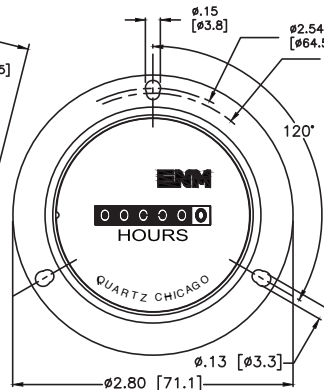
T40 Series

Available to facilitate installation are:
Two 12" long wires with insulated
quick disconnects and quick
disconnect screw terminals.



PANEL GASKET; UL/NEMA
4X12 P/N A40047-S

PANEL GASKET; UL/NEMA
4X12 WITH MTG
HARDWARE; P/N B20017



2013 ENM Co.®

LIMITED WARRANTY

ENM Company resettable electromechanical counters are warranted to the consumer to be free from defects in material and workmanship for a period of 3 years. All ENM products which fall within the warranty period due to defects in material or workmanship will be repaired or replaced, at ENM's option, without charge to the consumer when returned with proof of purchase to any authorized ENM dealer in the United States, transportation charges prepaid, provided there is no evidence of improper installation, tampering, or other abuse. All implied warranties, including any implied warranty of merchantability or fitness for a particular purpose, shall be limited in duration to the express warranty period specified above. ENM disclaims any liability for consequential damages due to breach of any written or implied warranty on its products. Datasheet information subject to change.