

Engine Powered Hour Meter, Series T60



SERIEST60

ENM SERIEST60 ENGINE POWERED HOUR METER WAS DESIGNED TO BE TOTALLY POWERED BY THE ELECTRICAL ENERGY IN A TWO OR FOUR STROKE GASOLINE ENGINE

Electrical power is obtained by connecting the hour meter across the engine's kill switch. When installed, the T60 hour meter will indicate true engine operating time. It is now possible to accurately measure the operating time of equipment driven by a gasoline engine.

Some applications include: lawnmowers, brushcutters, pumps, chainsaws, power sprayers, tillers, cultivators, farm and snow removal equipment.

A quartz-crystal time base insures accurate long-term timekeeping

A reliable electromechanical wheel-type indicator is used to store accumulated hours

This compact tamperproof meter is sealed against the environment to provide years of service.

Features

- No Battery Required for Operation
- Direct Connection to Gasoline Engine
- Low Power consumption
- Solid State Electronic Drive Circuit
- Quartz Crystal for Accurate Timing
- Absolutely Will Not Lose Count
- High Impact, Tamperproof Plastic Case
- Sealed Against Moisture and Dirt
- Indicates Operating Time in Hours and Tenths
- Made in the U.S.A.
- ISO 9001

Specifications

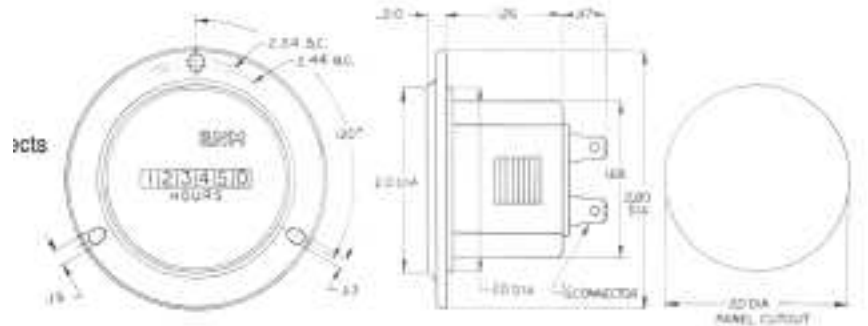
Time Scale:	6-digits 99,999.9 hours Automatic recycle to zero
Figures:	Hours – white on black Tenths – black on white Height – .140"
Accuracy:	Better than +/- 0.02% over entire range
Temperature:	From -40°C to +85°C
Vibration Resistance:	Withstands 10 to 75 Hz @ 1 to 8 g's
Termination:	¼" male blade terminals
Protected from:	Reverse polarity
Configuration:	Round SAE Bezel with new push-on retaining ring. Round 3-Hole Bezel

Standard Features

Round 3-Hole Bezel

Available to facilitate installation are:

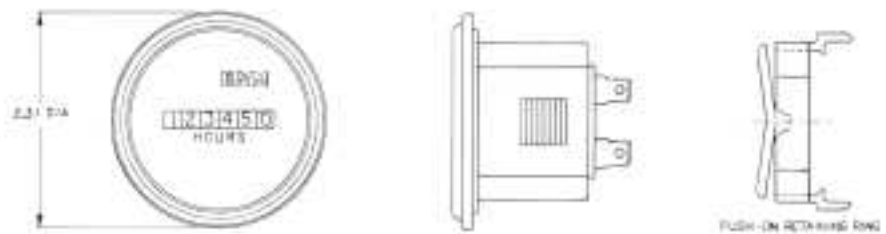
Two 24" long wires with insulated quick disconnects and quick disconnect screw terminals.



(ALL DIMENSIONS IN PARENTHESES ARE MM.)

Round SAE Bezel

CE APPROVAL CONFORMS WITH THE PROTECTION REQUIREMENTS OF COUNCIL DIRECTIVE 89/336/EEC, AMENDED BY 92/31/EEC AND 93/68/EEC RELATING TO ELECTROMAGNETIC COMPATIBILITY.



Custom face plates are available.



Above data is for reference only.

Certified dimensions available upon request.

2002 ENM Co.®

LIMITED WARRANTY HOUR METERS

ENM Company hour meters are warranted to the consumer to be free from defects in material and workmanship for a period of 10,000 operating hours or for a period of 3 years, whichever first occurs. All ENM products which fall within the warranty period due to defects in material or workmanship will be repaired or replaced, at ENM's option, without charge to the consumer when returned with proof of purchase to any authorized ENM dealer in the United States transportation charges prepaid, provided there is no evidence of improper installation, tampering or other abuse. All implied warranties, including any implied warranty of merchantability or fitness for a particular purpose, shall be limited in duration to the express warranty period specified above. ENM disclaims any liability for consequential damages due to breach of any written or implied warranty on its hour meter. Datasheet information subject to change.