

## Energy and Time Meter Electromechanical, Series E20



**E20E61V - 230 VAC, 60 Hz**  
**E20E62V - 115 VAC, 60 Hz**

ENM new E20 series act both as an hour meter and an energy meter. The unit is very accurate and durable (able to withstand large range of temperature). Furthermore, the meter is easy to install with the accompanying mounting clip and gasket. The meter comes in two voltage levels for your conveniences. This instrument is ideal for applications such as dehumidifiers, air conditioning, production equipments, etc....to name a few examples.

### Features

- Shows both values in parallel
- Easy to read display when no voltage present
- High measuring accuracy
- Tamper-proof fixed installation
- Wide temperature range
- ROHS compliant
- Remote readout possible
- IP 65 protection

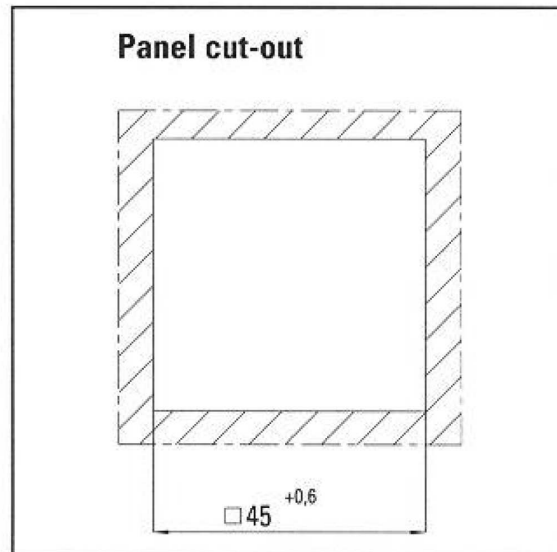
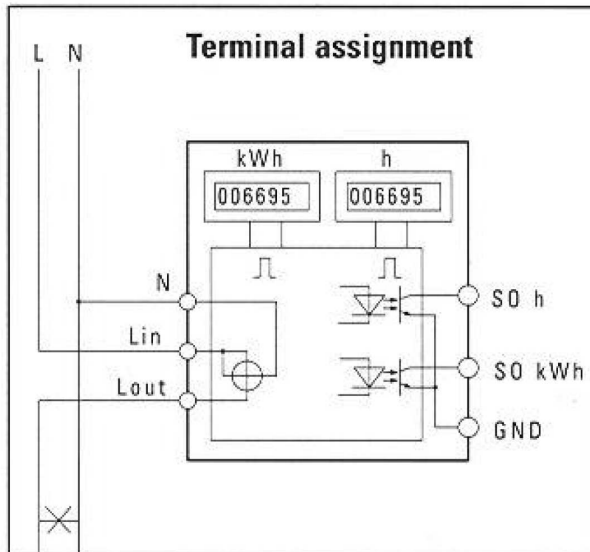
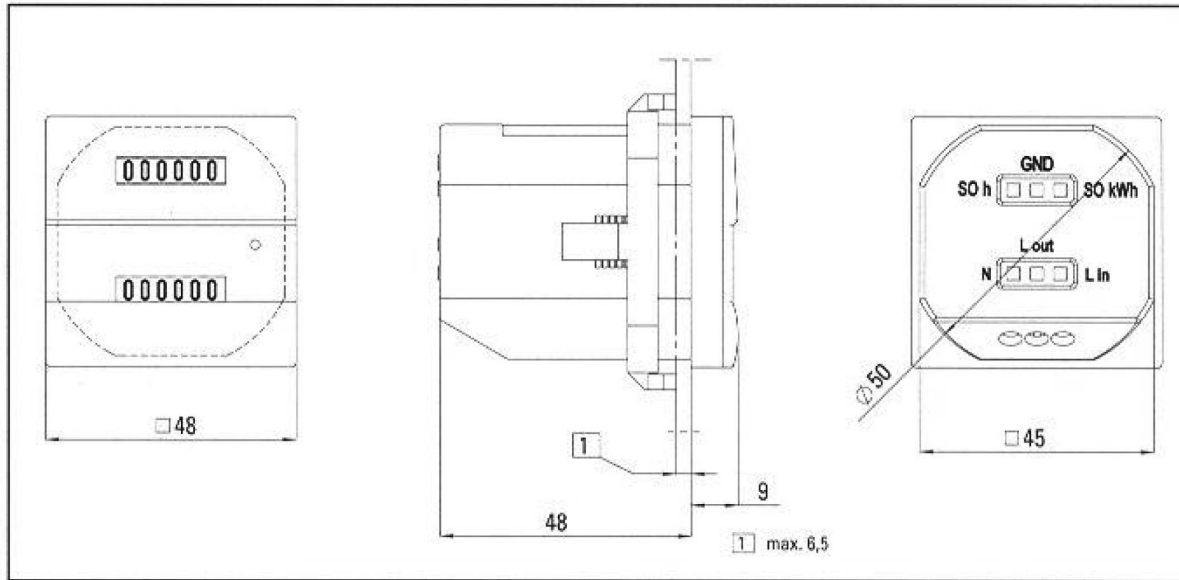
### Specifications

Voltage:	115/230 VAC, -20% to 15% 50 or 60 Hz
Display:	2x6 digit (single units digit is red)
Character Height:	4x1.7mm digits
Operating Temperature:	-20°C to 55°C
Current:	I <sub>b</sub> =5A, I <sub>max</sub> =16A Limits: >=20mA up to 16A Start Current: >=20Ma
Accuracy:	Energy meter: Class B, acc. to MID (50 Hz ver.) Hour meter: ±2%
SO Output:	Energy meter: 1000 pulses/kWh, 5...30VDC, I <sub>max</sub> =20mA Hour meter: 10 pulses/h, 5...30VDC, I <sub>max</sub> =20mA

2007 ENM Co.®

Series E20

### Dimensions:



2007 ENM Co.®

#### LIMITED WARRANTY HOUR METERS

ENM Company products are warranted to the consumer to be free from defects in material and workmanship for a period of 1 year. All ENM products which fall within the warranty period due to defects in material or workmanship will be repaired or replaced, at ENM's option, without charge to the consumer when returned with proof of purchase to any authorized ENM dealer in the United States, transportation charges prepaid, provided there is no evidence of improper installation, tampering, or other abuse. All implied warranties, including any implied warranty of merchantability or fitness for a particular purpose, shall be limited in duration to the express warranty period specified above.

ENM disclaims any liability for consequential damages due to breach of any written or implied warranty on its products.

### ENM Company

5617 Northwest Highway, Chicago, IL 60646-6135

(773) 775-8400 • Fax: (773) 775-5968 • Toll Free (888) 372-0465

e-mail: [customerservice@enmco.com](mailto:customerservice@enmco.com)

ISO 9001:2008 Certified

web site: [www.enmco.com](http://www.enmco.com)