

Electro-Mechanical Hour Meter, Series T55



T55A2A-115 VAC Resettable

T55B2A-115 VAC Non-Resettable

ENM's Series T55 electro-mechanical hour meter is a new design which incorporates the great accuracy found in our other products. The T55 series are available in either reset or non-resettable version.

The meter can be used for indication of machine runtime or time between service for maintenance purposes.

The T55 series is durable and can operate over a wide range of temperature. Recorded data will be retained if power is lost.

Features

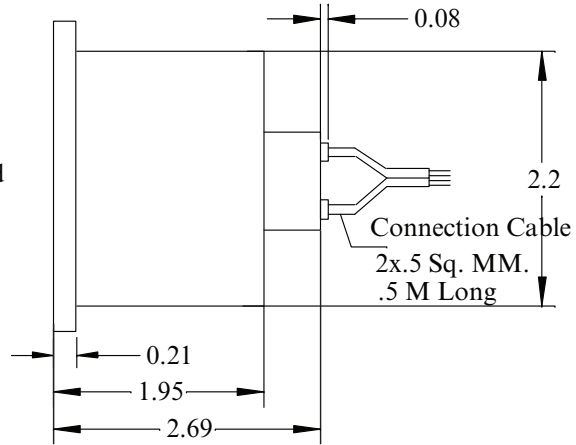
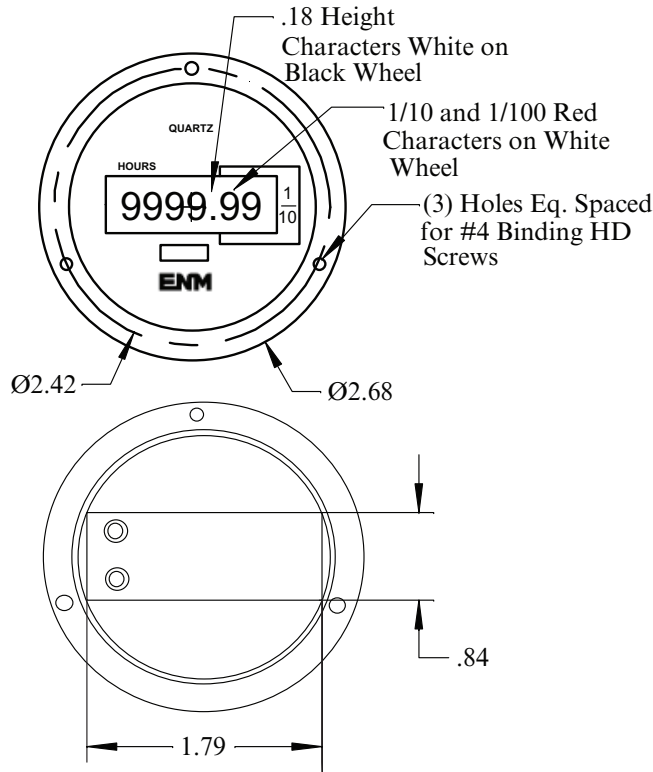
- Large, easy to read display
- Low power Consumption
- Data retention if power is lost
- High shock and vibration specs.
- Wide operating voltage range
- High reliability
- ISO 9001 Certified
- Made in the U.S.A

Specifications

Display Reading:	4-Digits White on Black Wheel 1 Red on White Wheel Digit (1/10th hr) 1 Red on White Wheel Digit (1/100th hr)
Display Height:	6-digits, (.18") [4.57MM]
Operating Voltage:	120 or 240 VAC (Other voltage available, please consult the sales group)
Power Consumption:	App. 0.6 VA @ 120 VAC
Accuracy:	Better than $\pm 0.01\%$ over entire range
Temperature:	Standard -15°C to +50°C (5F° to +122°F)
Vibration Resistance:	SAE J1378
Mounting Configuration:	Front Panel
Reset:	Push Button Reset or Non-Reset Version
Case Material:	Black Polycarbonate

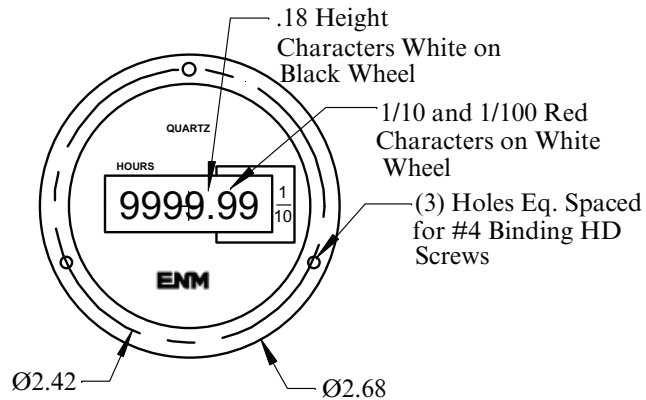
(All dimensions are in inches.)

T55A2A Resettable Hourmeter



Notes:
Recommended panel cutout:
2.22" Dia

T55B2A Non-Resettable Hourmeter



2008 ENM Co.®

LIMITED WARRANTY HOUR METERS

ENM Company products are warranted to the consumer to be free from defects in material and workmanship for a period of 1 year. All ENM products which fall within the warranty period due to defects in material or workmanship will be repaired or replaced, at ENM's option, without charge to the consumer when returned with proof of purchase to any authorized ENM dealer in the United States, transportation charges prepaid, provided there is no evidence of improper installation, tampering, or other abuse. All implied warranties, including any implied warranty of merchantability or fitness for a particular purpose, shall be limited in duration to the express warranty period specified above.

ENM disclaims any liability for consequential damages due to breach of any written or implied warranty on its products.