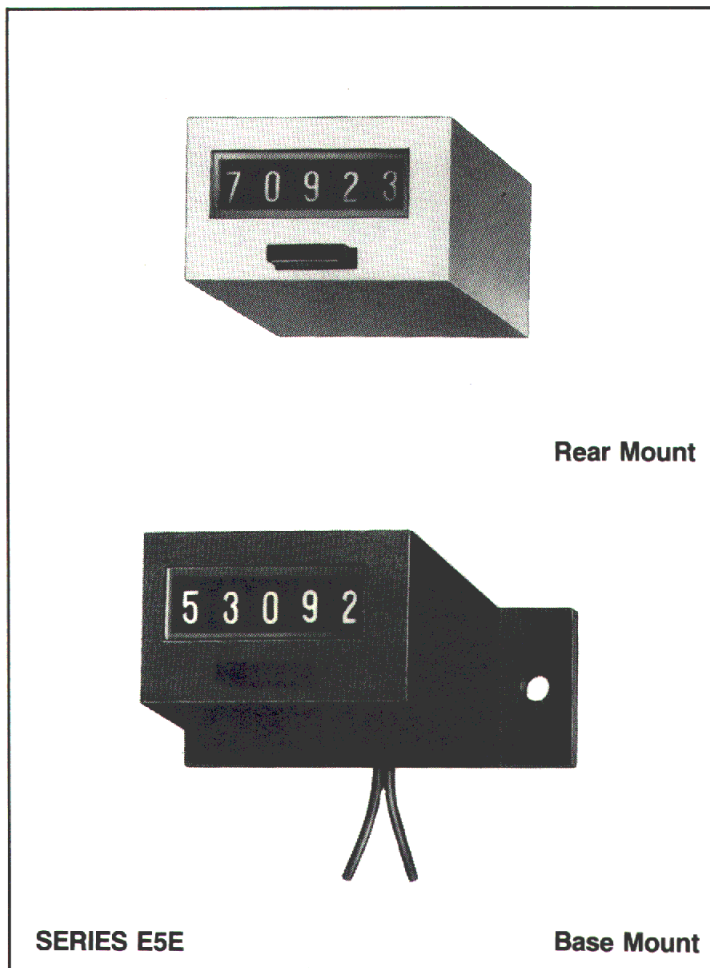
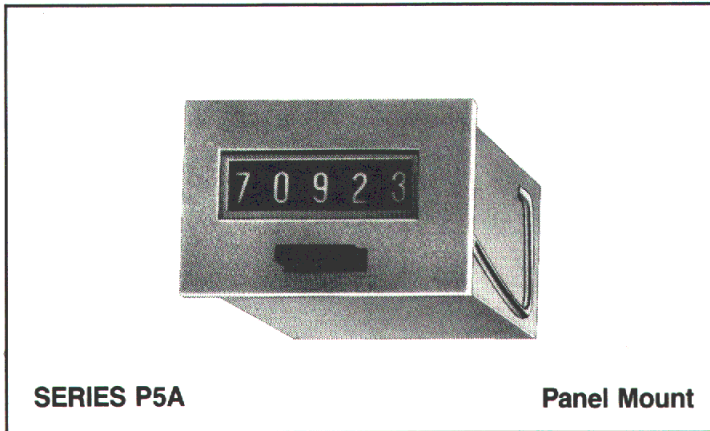


## Miniature Adding Counters with Reset, Series P5A/E5E



### Pulse Counters with Low Power Consumption

Series P5A Counter is a panel mount counter with manual push-button reset. Series E5E Counters are the base or rear mount versions. These counters are suitable for battery operation and electronic circuitries. Applications include battery operations, vending machines, gauges, and general counting systems.

- Small size, low cost
- AC and DC voltage
- Low power consumption
- Long service life
- Easy push-button reset
- Protected against shock and vibration
- Easy installation
- No battery back-up required

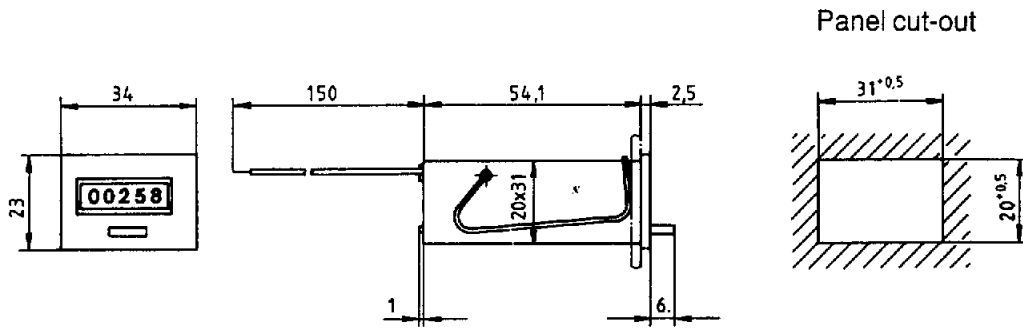
#### TECHNICAL FEATURES:

Figures:	5
Figure Size:	.157" high x .067" wide
Count Speed:	600 cpm AC 480 or 600 cpm DC
Pulse on Time Minimum:	50 ms
Voltage:	12, 24, 48, 110, 220 VAC 1, 1.5, 3, 4, 4.5, 6, 9, 12, 48, 110, 185 VDC
Power Consumption:	Minimum 60 mW
Operating Temperature Range:	-10° to 50°C (Extended Range Optional)
Mounting:	Panel, Rear, Base Mount
Termination:	Leads (5.9" Long) — Standard PCB pins — Optional
Case:	Plastic (light grey or black)
New Weight:	1.7 oz.



# Series P5A/E5E

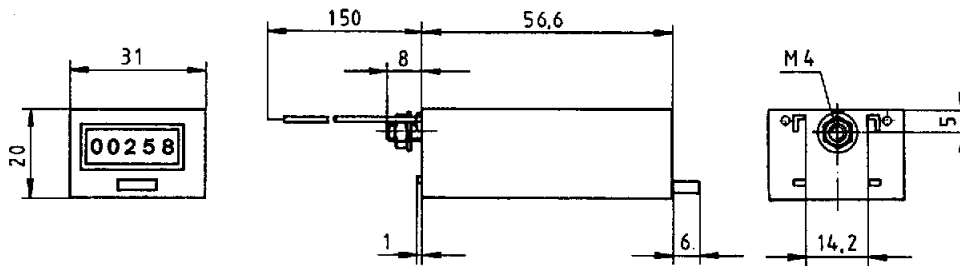
# Mounting Variations



**SERIES P5A**

1 mm = .03937 inch

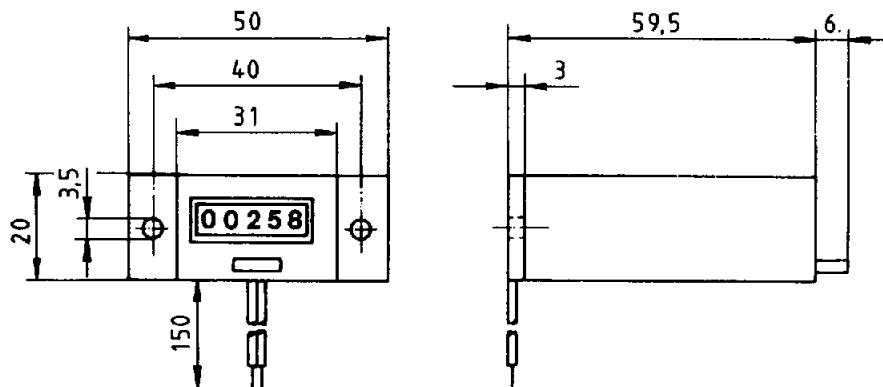
**Panel Mount**



**SERIES E5E**

1 mm = .03937 inch

**Rear Mount**



Above data is for reference only.

1 mm = .03937 inch

**Base Mount**  
Certified dimensions available upon request.  
E-MAIL

**ENM Co. @ AOL.COM**  
Toll Free (888) 372-0465

© 1999 ENM CO.



ENM Company  
5617 Northwest Highway  
Chicago, IL 60646-6135  
(773) 775-8400 Fax: (773) 775-5968