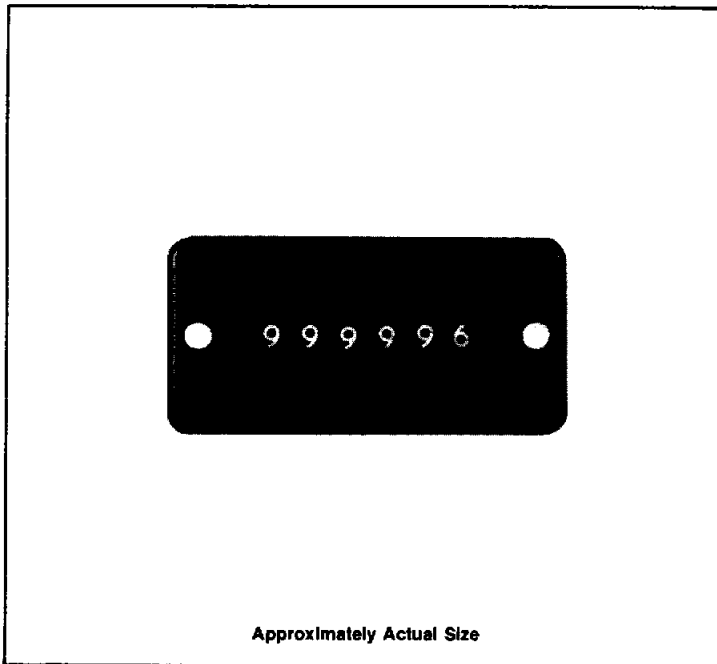


Miniaturized Panel Mounted Counter, Series P14



Durable Electric Counter

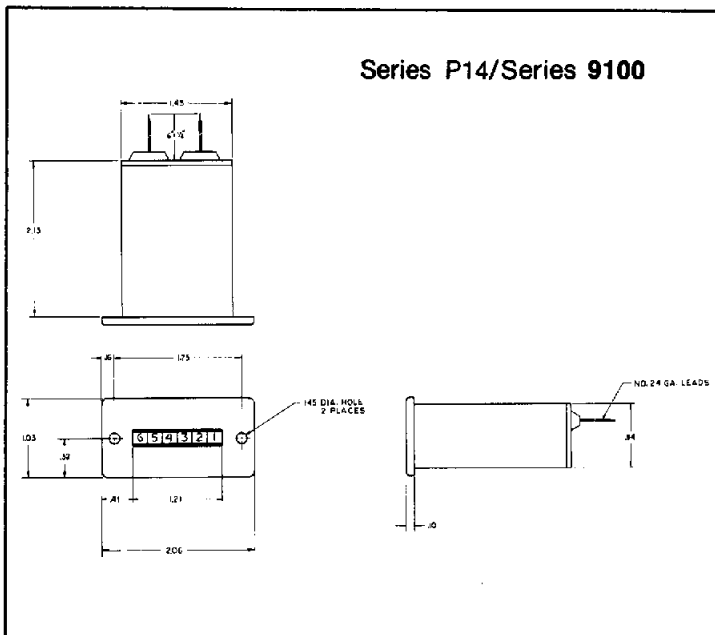
The Series P14 miniature panel mounted electric counter is designed for placement in close proximity to electronic components without creating transient interference.

The unit is designed for applications where cost, size and performance are important.

- Plastic dustproof case
- Wide choice of AC or DC voltages
- UL listed
- Completely manufactured in U.S.A.

TECHNICAL FEATURES

Figures:	6 digits, white on black
Figure Size:	.125 high x .075 wide
Reset:	None
Speed:	600 CPM
Voltages:	24V, 120V AC 6V, 12V, 24V DC
Pulse Width:	25 Millisec Minimum
Power:	2 Watts nominal
Termination:	Standard—6" leads, 24 gauge Also—¼" quick connect terminals



Above data is for reference only. Certified dimensions available upon request.

ORDERING INFORMATION

Description	Model No.
6VDC	P14B610A
12VDC	P14B612A
24VDC	P14B65A
24VAC	P14B64A
120VAC	P14B62A

Consult our engineering staff for application assistance, modifications or additional features.

UL Recognized under the Component Program of Underwriters Laboratories Inc.

© 1988 ENM Co.



ENM Company

5617 Northwest Highway

Chicago, IL 60646-6135

Phone: (312) 775-8400

TELEX: 25-4068 FAX: (312) 775-5968