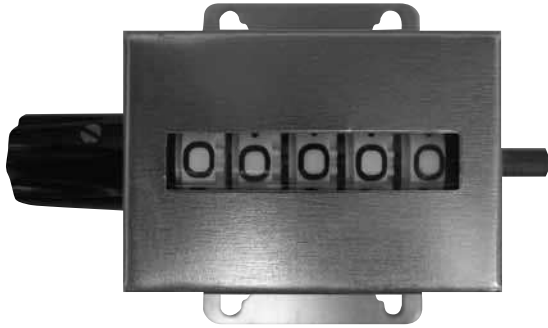


Mechanical Counters/Resettable Stroke Counter

M3C Series



Ratchet Driven Totalizer

The Model M3C is reliable and economical ratchet driven stroke counter with convenient knob reset. Its compact case size, permits simple base mounting. The Model M3C is an all purpose counter for most applications.

The mechanical Model M3C operates at the rate of 500 counts per minute, with a half-count on power stroke and a half-count on the return. Ratchet driven, with stop, the Model M3C is available with right hand or left hand shafts--either top coming or top going. The shaft(s) oscillates 17° per count. Each counter is furnished with a 3" lever as standard.

Universal "L" mounting slots facilitate fast mounting on equipment.

Features

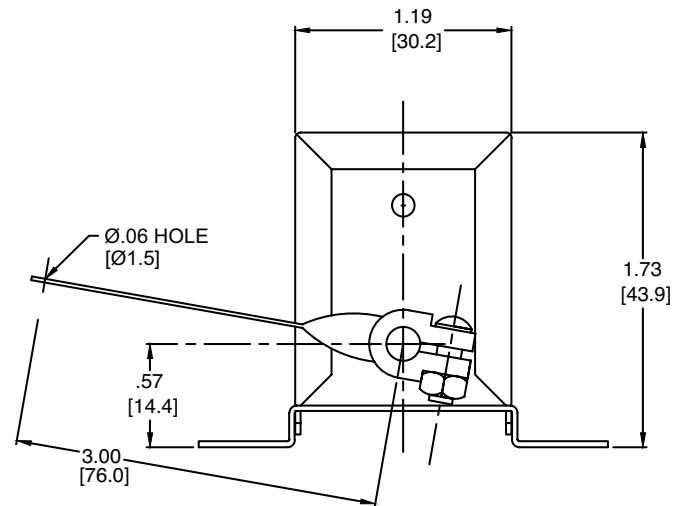
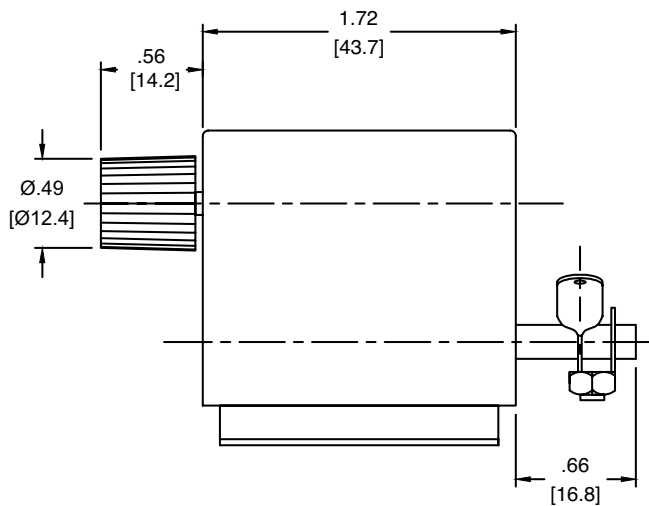
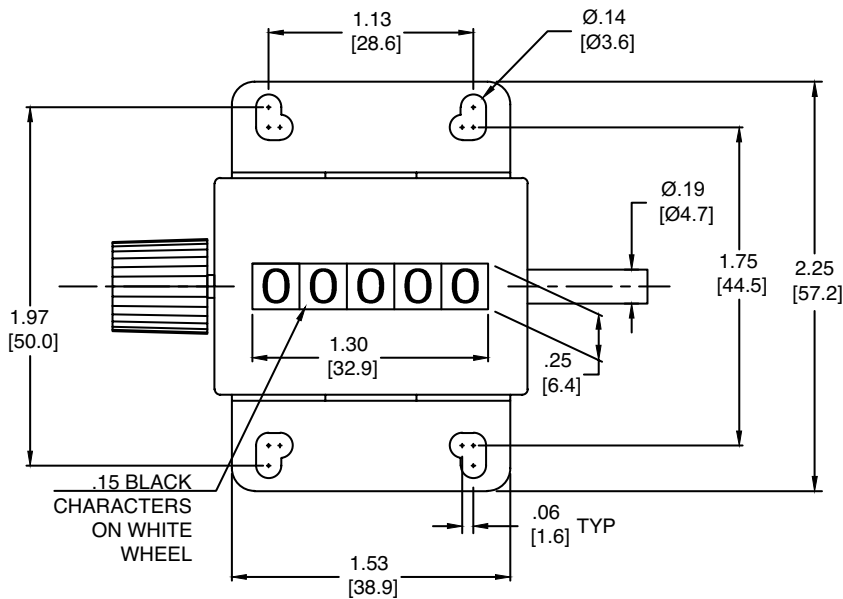
- 5 large easy to read digits
- Complete with 3" lever
- Convenient base mount
- 500 counts per minute
- Compact size
- Low cost
- Knob reset
- MADE IN THE USA

Specifications

| | |
|--------------------|---|
| Figures: | 5-digits, black on white |
| Figure Dimensions: | .156" H x .140" W |
| Reset: | Knob resettable |
| Speed Rating: | 500 cpm |
| Drive: | Escapement; 1/2 count on stroke, 1/2 count on return. |
| Types of Drive: | Ratchet with stop. Right hand, left hand or double shaft. Top coming (counter clockwise) or top going (clockwise) |
| Movement to Count: | 17° |
| Mounting: | Universal base. |
| Finish: | Silver |
| Weight: | 4 oz. net |

Consult our engineering staff for application assistance, modifications or additional features.

M3C Series



2013 ENM Co.®

LIMITED WARRANTY

ENM Company resettable electromechanical counters are warranted to the consumer to be free from defects in material and workmanship for a period of 1 year. All ENM products which fall within the warranty period due to defects in material or workmanship will be repaired or replaced, at ENM's option, without charge to the consumer when returned with proof of purchase to any authorized ENM dealer in the United States, transportation charges prepaid, provided there is no evidence of improper installation, tampering, or other abuse. All implied warranties, including any implied warranty of merchantability or fitness for a particular purpose, shall be limited in duration to the express warranty period specified above. ENM disclaims any liability for consequential damages due to breach of any written or implied warranty on its products. Datasheet information subject to change.