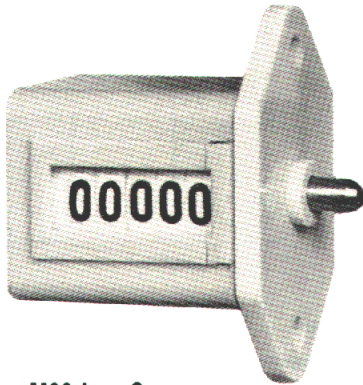


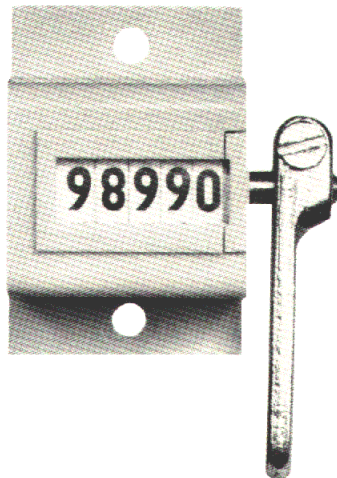
Mechanical Counters

Technical Data

Non-Reset Compact Security Counter, Series M22



Series M22 Lug Case



Series M22 Ratchet Drive with Flange Case

The mechanical, 5-digit Series M22 counter is non-resettable and precision engineered in molded plastic and stainless steel to ensure high accuracy and reliability with light weight and long life.

Applications include business and office equipment, cash registers, ticket issuing machines, check writers, amusement and gaming machines, circuit breakers, meters, timers, hand memory stores, vending machines.

- **Four types of drive**
- **Standard case length for all types of drive and mounting**
- **Figures easily read through non-removable window**
- **Fully enclosed for read-out security**

TECHNICAL FEATURES:

Figures	5 digits. Black figures on white background. 4.1mm (0.160in.) high, 2.2mm (0.088in.) wide, 0.7mm (0.030in.) stroke.
Types of Drive	<p>Revolution—Adds or subtracts one count for each complete revolution of the input shaft.</p> <p>Direct Drive—Adds or subtracts ten counts for each complete revolution of the input shaft.</p> <p>Rotary Ratchet—Adds ten counts for each complete revolution of the input shaft. Oscillation of the input shaft through 36° to 60° adds only one count.</p> <p>Ratchet with Stops (With return action spring)—Stop-to-stop movement-typically 50° to 52°. Movement to count-typically 39° to 48°.</p> <p><i>A Non-overthrow Mechanism is incorporated in both ratchet types to eliminate the possibility of double counting under normal operating conditions. On Rotary Ratchet counters, this is effective for only 19° beyond each indexing position.</i></p>
Speed Rating	<p>Revolution Drive-3,000 counts per minute continuous.</p> <p>Direct Drive-15,000 counts per minute continuous.</p> <p>Rotary Ratchet-3,000 counts per minute continuous, 1,500 counts per minute at peak when used as an oscillating counter.</p> <p>Ratchet with Stops-1,000 counts per minute.</p>
Operating Torque	<p>Revolution and Direct Drive-1mNm (0.14 oz/in)</p> <p>Rotary Ratchet-2mNm to 7mNm (0.28 oz in to 0.98oz/in)</p> <p>Ratchet with Stops-6mNm to 14mNm (0.84 oz/in to 1.96 oz/in)</p>
Input shaft position	Left Hand or Right Hand
Direction of Shaft Rotation	Top Going or Top Coming
Type of case	Lug Case, Flange Case with Flange at Base or Flange at Window.
Finish of case	Durable plastic. Color-Light Beige.
	Input Shaft-superfinished stainless steel.
Weight	10 grams approx.

} At 25° C

RIGHT HAND SHAFT, BASE MOUNT,
TOP COMING COUNTERS

TYPE OF DRIVE	PART NUMBER
Revolution	M22Z58
Direct	M22Z57
Rotary Ratchet	M22Z61
Ratchet w/Stops	M22Z59
Ratchet w/Stops (External Overthrow)	M22Z59A

Other shaft location/direction combinations available.

© 1988 ENM Co.

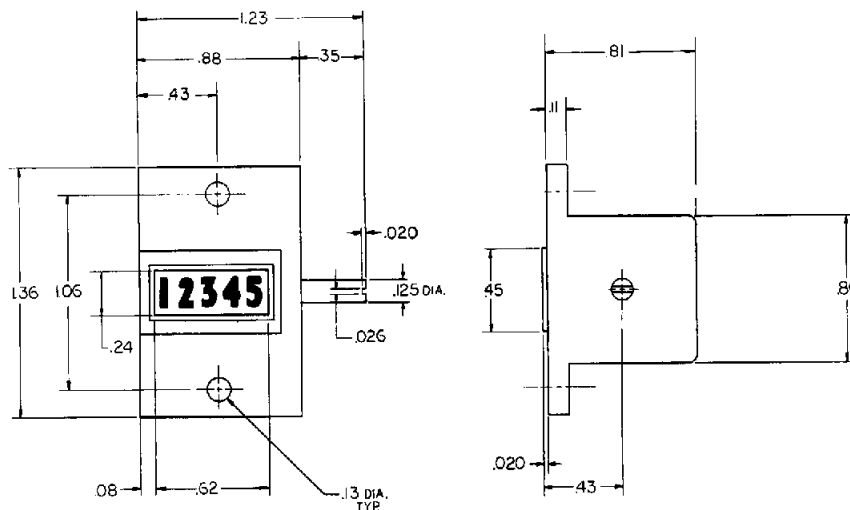
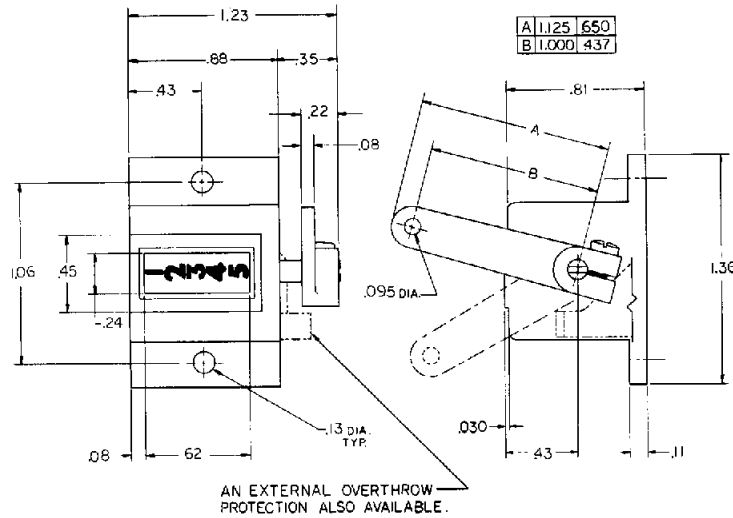
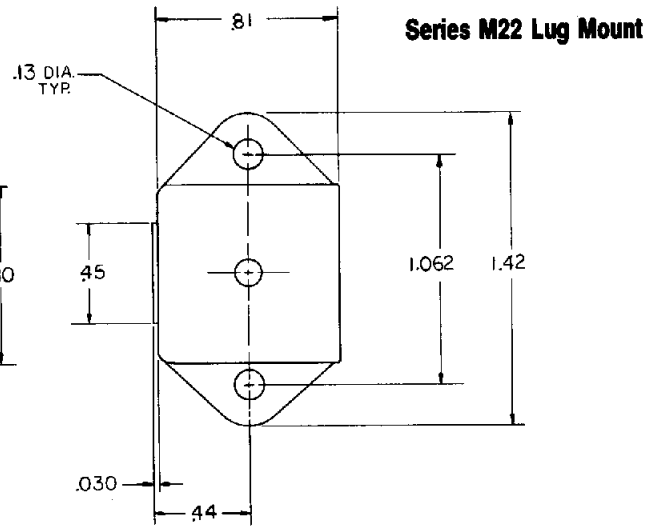
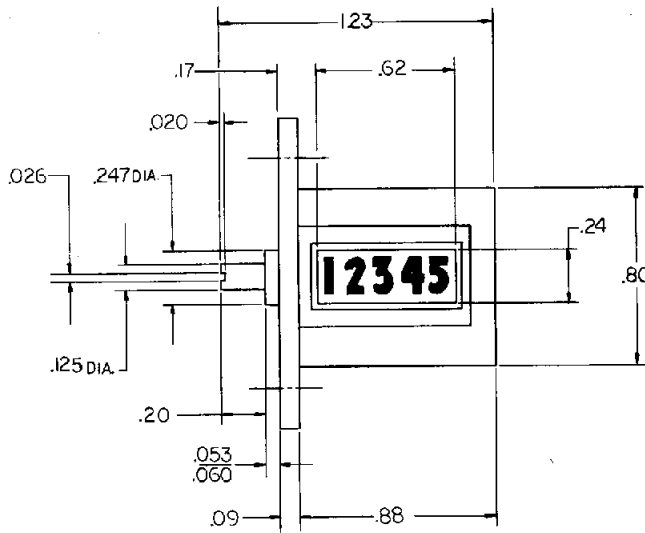


ENM Company

5617 Northwest Highway
Chicago, IL 60646
Phone: (312) 775-8400
TELEX: 25-4068

SERIES M22

Mounting Variations



Above data is for reference only.

Certified dimensions available upon request.



ENM Company
 5617 Northwest Highway
 Chicago, IL 60646
 Phone: (312) 775-8400
 TELEX: 25-4068