

Revolution and Direct Drive Counter M4B Series

Rugged, Mechanical Revolution Counters.

The M4B Series provides two distinct types of counters--a revolution drive or a direct drive--each available with a choice of right hand, left hand or double shaft extensions with top going (clockwise) or top coming (counter-clockwise) rotation.

Revolution counter indicates one count per 360° shaft rotation. rotation. Direct drive counter indicates ten counts per 360° shaft rotation. Universal "L" slots make base mounting easy.

For application on warranties for various types of appliances, vending machines, production equipment, business machines, meters and for general purpose mechanical counting up to 1,000,000 counts.



Features

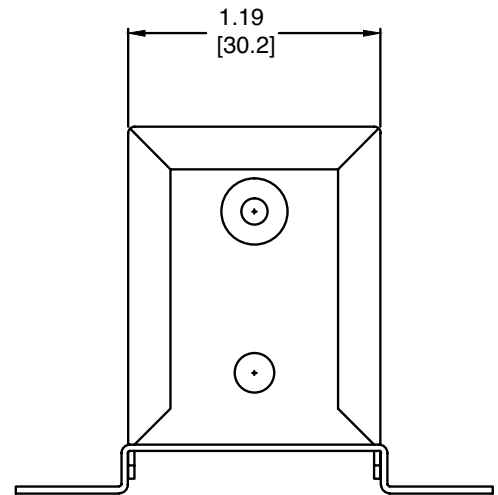
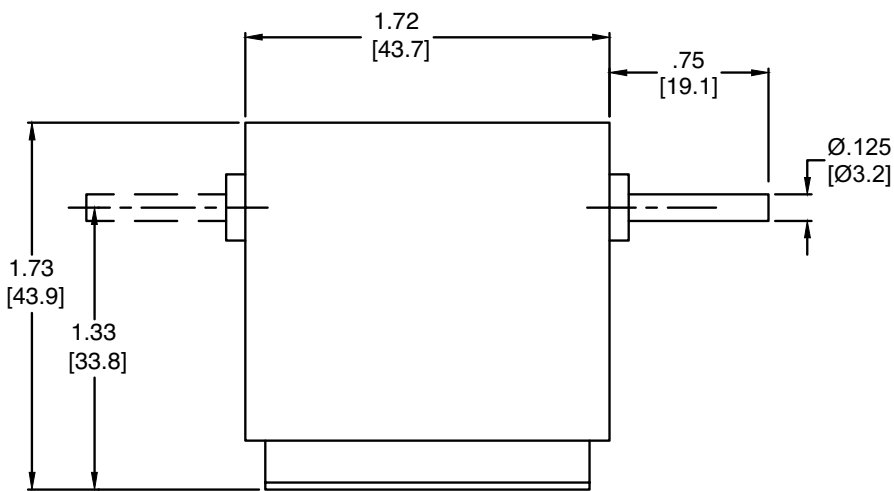
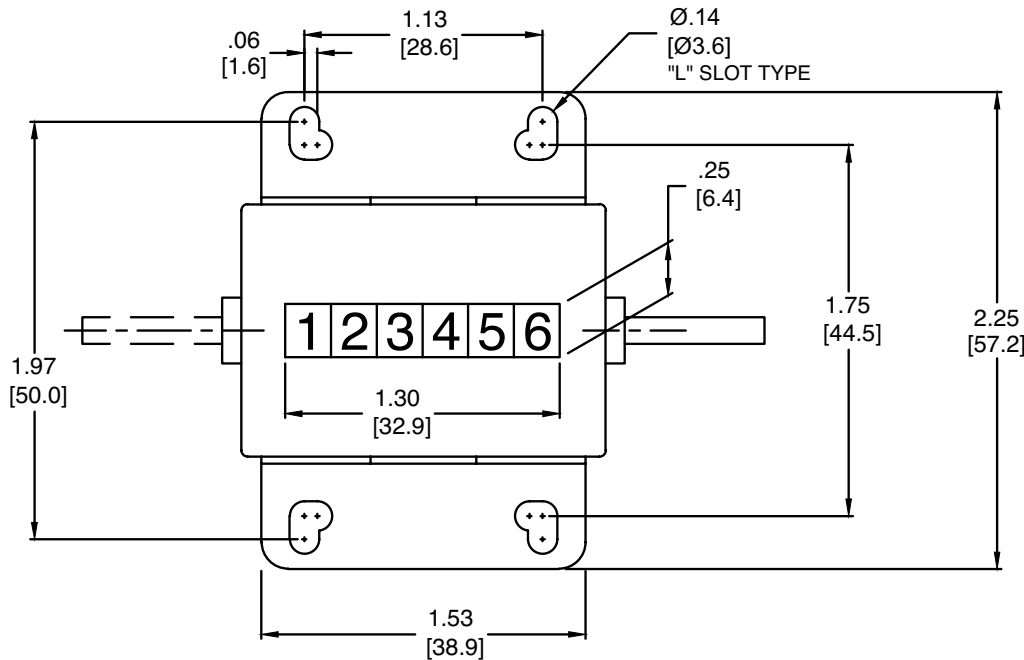
- 6 digit display
- Universal base mounting
- Right hand, left hand or double shafts
- MADE IN THE USA

Specifications

Figures:	6-digits, black on white
Figure Dimensions:	0.140"H x 0.094"W
Reset:	None
Speed Rating:	300 cpm
Input Shaft Position:	Specify right hand, left hand or double shaft
Direction of Shaft Rotation:	Top Coming (Counter-clockwise) Top Going (Clockwise)
Operating Torque:	0.50 oz. in.
Mounting:	Universal base mounting. Zinc plated
Weight:	3 oz.

Consult our engineering staff for unusual applications, modifications and/or additional features.

M4B Series



2013 ENM Co.®

LIMITED WARRANTY

ENM Company resettable electromechanical counters are warranted to the consumer to be free from defects in material and workmanship for a period of 1 year. All ENM products which fall within the warranty period due to defects in material or workmanship will be repaired or replaced, at ENM's option, without charge to the consumer when returned with proof of purchase to any authorized ENM dealer in the United States, transportation charges prepaid, provided there is no evidence of improper installation, tampering, or other abuse. All implied warranties, including any implied warranty of merchantability or fitness for a particular purpose, shall be limited in duration to the express warranty period specified above. ENM disclaims any liability for consequential damages due to breach of any written or implied warranty on its products. Datasheet information subject to change.