

Ratchet Drive Counter

M50 Series

Technical Specifications

690



Right-hand ratchet, top coming



Left-hand ratchet, top going

Description:

ENM's M50 Series is a ratchet counter. Lever is returned to its original position by means of internal return spring. Compact and rugged, this counter is ideally suited for installation on machine tools, automatic vending machines, and industrial applications where only limited space is available. There will be little or no wear of the bearing. Offered in a black case in 5-digit types.

A non-overflow mechanism is incorporated in the counter to eliminate the possibility of double counting under normal operating conditions.

Specifications:

Figures: White on black background

Figure Size: .189" (4.8mm) H x .094" (2.4mm) W

Speed Rating: 1000 counts per minute

Type of Drive: Ratchet with stop; Stop-to-stop movement-typically 50° to 52°. Movement to count-typically 39° to 48°.

Shaft Diameter: 0.118" (3mm)

Mounting: Base mount

Finish: Black case with stainless steel shaft.

Counter Life: Approx. 25 million counts

Input Shaft Position: Left Hand or Right Hand

Shaft Rotation: Top Going or Top Coming

Features:

- Compact and rugged design for long life.
- Easy to mount
- Maximum speed 1000 counts per minute.
- Corrosion resistant.
- No lubrication required.
- Non-resettable
- Low cost.

2009 ENM Co.

ENM

ENM Company

5617 Northwest Highway

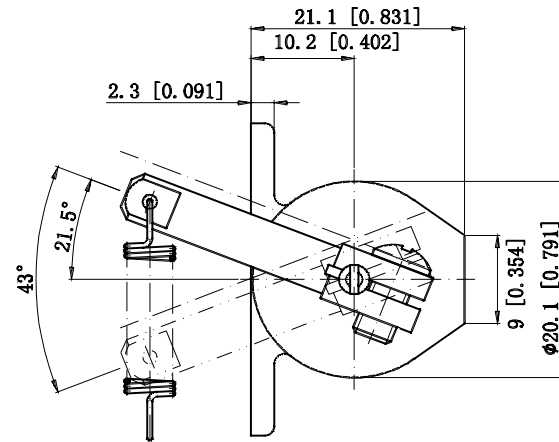
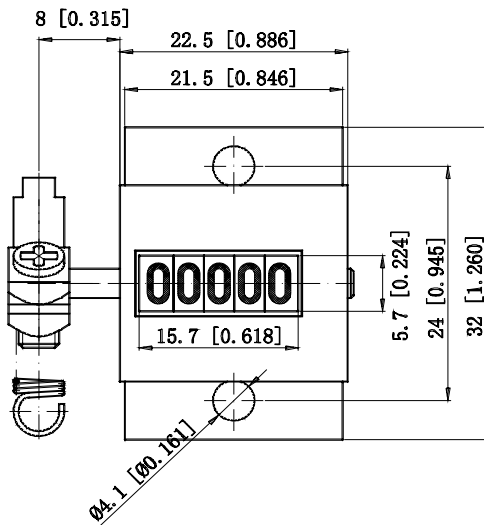
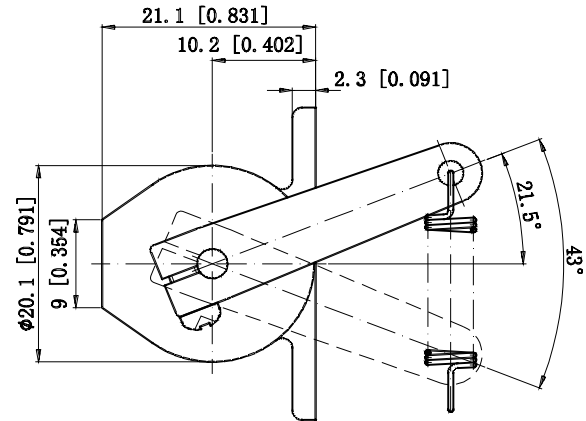
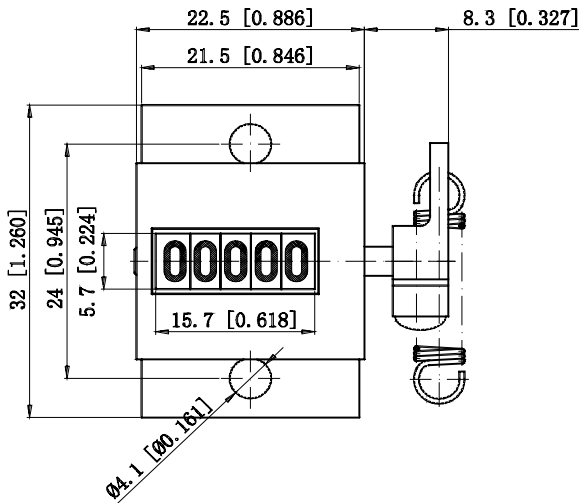
Chicago, IL. 60646

Phone: (773)775-8400 FAX: (773)775-5968

WWW.ENMCO.COM

Series M50

Dimensional Data



M50BA50A - Right Hand, Top Coming

M50BA50B - Right Hand, Top Going

M50BA50C - Left Hand, Top Coming

M50BA50D - Left Hand, Top Going

2009 ENM Co.



ENM Company

5617 Northwest Highway

Chicago, IL 60646

Phone: (773)775-8400 FAX: (773)775-5968

WWW.ENMCO.COM