

# Model D701 Platform Tiltmeter

(Biaxial)

The Model D701 continues the legacy of 700- Series precision biaxial tiltmeters. Its NEMA 4X designation (IP65) means that it is unaffected by continuous exposure to moisture and wet weather, and that it resists corrosion that can occur in wet conditions. RS232 and RS422

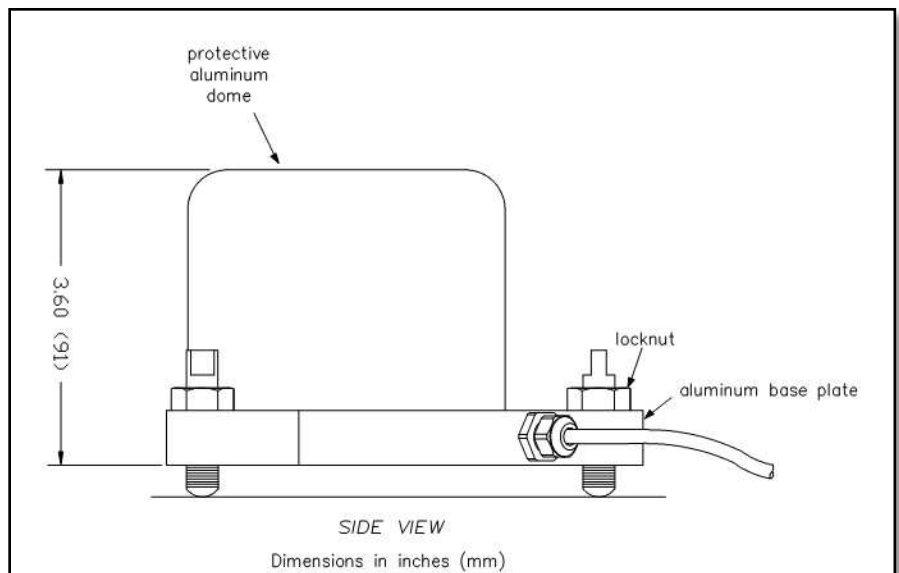
output versions are both available. The powerful firmware command set enables the user to control output data rates, data formats, sample averaging, and other useful parameters. All units are shipped with our graphical ZAGI user interface software for Windows computers.



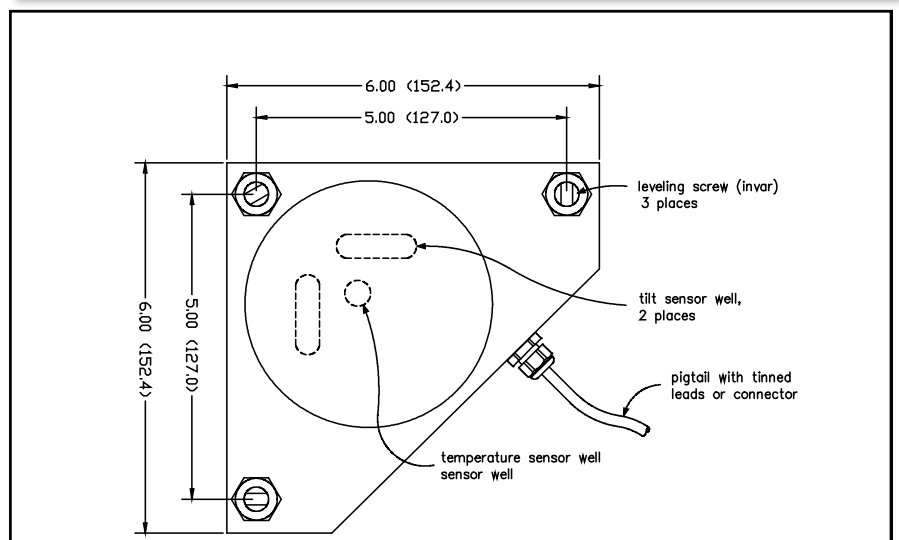
## ROBUST AND ACCURATE

With a robust anodized aluminum and epoxy-coated housing, the D701 resists corrosion that can occur on the side of a volcano or wherever it is operated. Adjustable invar legs make the D701 easy to install and level on any flat surface. Once the tiltmeter has been leveled, three brass nuts lock each of the invar legs in place.

Each tiltmeter comes with a hookup cable and power supply for quick operation using your PC.



Model D701 Weatherproof Platform Tiltmeter



	<b>D701-A HIGH-GAIN</b>	<b>D701-B MID-RANGE</b>
<b>Angular Range</b>	±0.5 degree	±5 degrees
<b>Resolution</b>	1 μradian	10 μradians
<b>Repeatability</b>	< 4 μradians (static)	10 μradians (static)
<b>Linearity</b>	0.4% of full span	0.1% of full scan
<b>Temperature Coef.</b>	Zero, Kz = ±3.5 μradians/°C typical, Span, Ks = 0.02%/°C typ.	
<b>Time Constant</b>	0.15 second	
<b>Output</b>	Two orthogonal tilt angles plus one temperature; RS232 or RS422, transmit and receive; Baud Rate: 9600 (default), 19200, 28800, 57600, 115200, 230400; Formats: NMEA XDR, Trimble proprietary, Ashtech compatible, Simple (X, X, temperature, serial number)	
<b>Output Data Rate</b>	User-selectable from 10 samples/second to 1 sample/24 hours	
<b>Power Requirements</b>	7 to 28 VDC @ 27mA, 250 mV peak-to-peak ripple maximum, reverse polarity protected	
<b>Environmental</b>	-25° to +70°C operational, -30° to +100°C storage, Rated NEMA 4X (IP65) for continuous operation at 100% humidity. Withstands exposure to rainfall and spray. Not submersible.	
<b>Mounting</b>	Tiltmeter stands on three adjustable invar legs	
<b>Materials</b>	Anodized and painted aluminum	
<b>Cable</b>	10 ft. (3m) multiconductor cable + overall shield, PVC jacket, connectors included	
<b>Size &amp; Weight</b>	6 x 6 x 4 inches (152 x 152 x 102 mm), 3 lb. (1.4kg)	

<b>PART NUMBER</b>	<b>MODEL NUMBER</b>	<b>DESCRIPTION</b>
<b>98023-01</b>	D701-A-S	Precision High-Gain Digital Tiltmeter (Biaxial), Platform Style, ±0.5 degree range, RS232 output
<b>98023-02</b>	D701-B-S	Precision Mid-Range Digital Tiltmeter (Biaxial), Platform Style, ±5 degree range, RS232 output
<b>98023-03</b>	D701-A-D	Precision High-Gain Digital Tiltmeter (Biaxial), Platform Style, ±0.5 degree range, RS422 output
<b>98023-04</b>	D701-B-D	Precision Mid-Range Digital Tiltmeter (Biaxial), Platform Style, ±5 degree range, RS422 output
<b>ACCESSORIES</b>		
<b>70304</b>	Additional tiltmeter cable, 10 conductors, PVC Jacket, Polypropylene Insulation (specify required length in ft. or meters)	
<b>62401</b>	Extra female panel connector (mates to 62402 connector on tiltmeter cable, one is included with tiltmeter)	
<b>718-AL</b>	Horizontal mounting plate, 8.5" x 9" (216 x 229 mm)	
<b>719-AL</b>	Universal L-mount bracket, for installation on vertical surfaces	