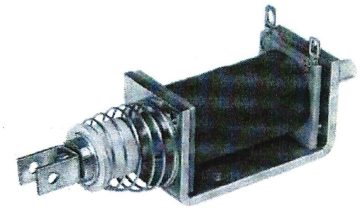


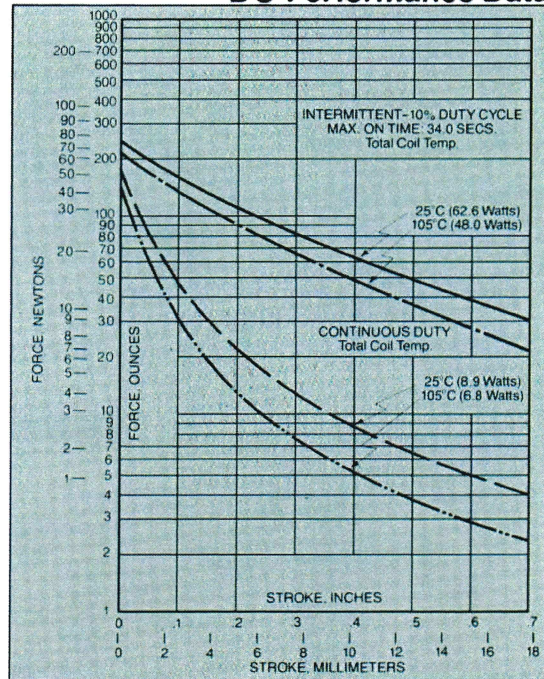
SGA Solenoid



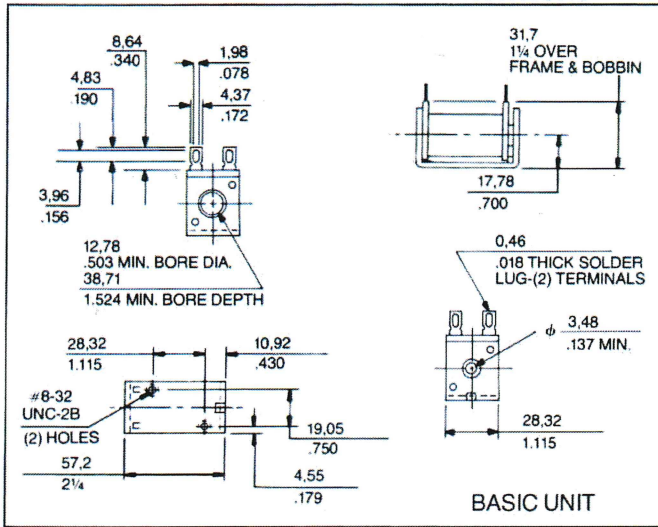
Specifications

Type of Operation:	Push or pull	Plating Standards:	Frame—Zinc, chromate; Clevis—Zinc; Plunger— Electroplate Nickel; Stop—Electroless Nickel (Others available on request)
Standard Voltages:	6 VDC, 12 VDC, 24 VDC, (Others available on request)	Plunger Type:	Slot and cross drilled per drawing standard (Options available per drawing)
Insulation Material:	Class "B" standard (Others available on request)	Plunger Weight:	1.9 ounces standard
Coil Finish:	Acetate tape standard (Also available: varnish dip, glass cloth tape, fungus resistant finish)		
Coil Terminations:	Terminals per drawing standard (Also available: flying leads, bent terminals, banded terminals, solder lugs)		

DC Performance Data

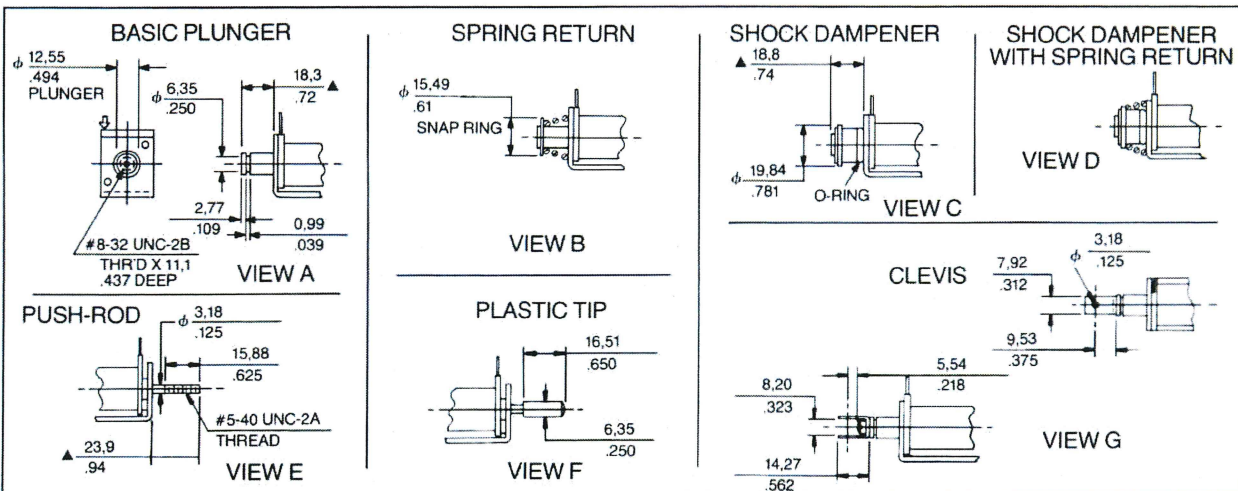


Dimensions



Duty Cycle	Maximum "On" Time	Stroke vs. Force* (inches vs. ounces)	Rated Power (watts)
Continuous	∞	0.0 / 175.0	8.9
		0.2 / 22.0	
		0.4 / 8.9	
		0.6 / 5.1	
10%	33.5 sec.	0.0 / 240.0	62.6
		0.2 / 112.0	
		0.4 / 63.0	
		0.6 / 39.0	

*TYPICAL FORCE @ 25°C AND NOMINAL RATED DC VOLTAGE



▲ ENERGIZED DIM.

JEWELL INSTRUMENTS, LLC

850 PERIMETER ROAD → MANCHESTER, NEW HAMPSHIRE 03103 USA
 TOLL FREE: 800 227-5955 → TEL: 603 669-6400 → FAX: 603 669-5962
 EMAIL: sales@jewellinstruments.com → WEB: www.jewellinstruments.com