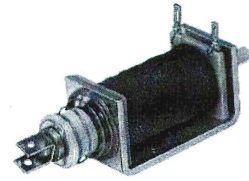


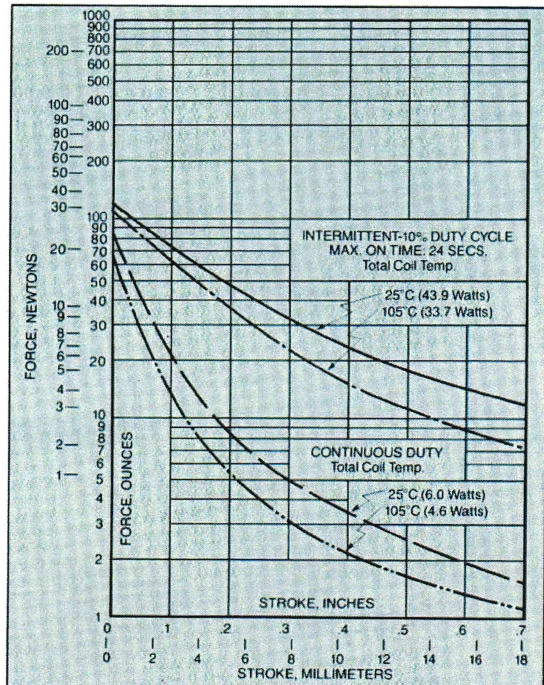
# SEA Solenoid



## Specifications

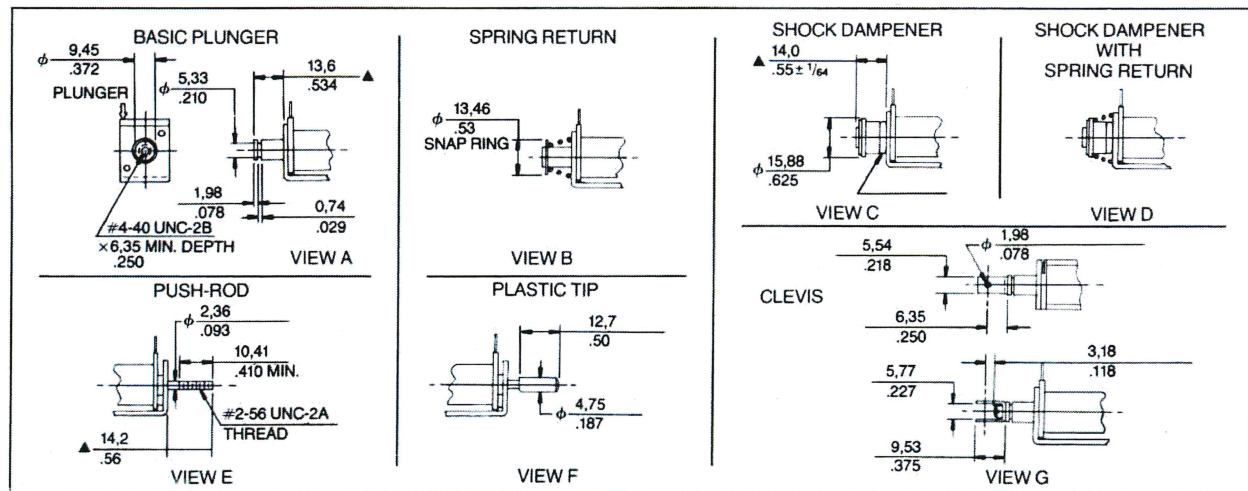
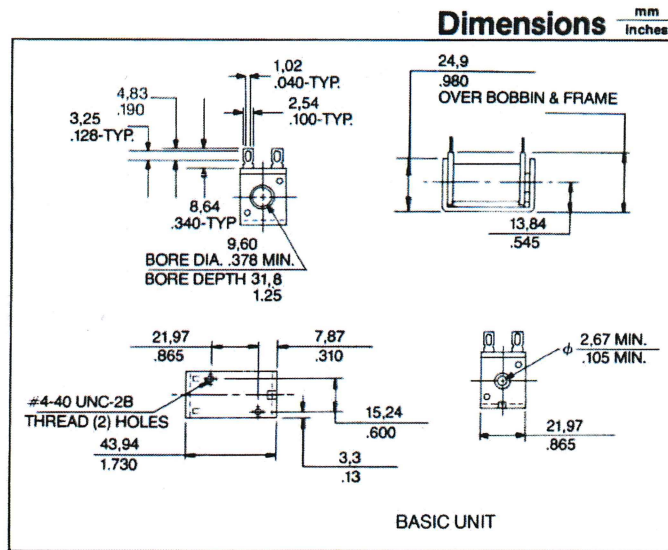
<b>Type of Operation:</b>	Push or pull	<b>Plating Standards:</b>	Frame—Zinc, chromate; Clevis—Zinc; Plunger— Electroplate Nickel; Stop—Electroless Nickel (Others available on request)
<b>Standard Voltages:</b>	6 VDC, 12 VDC, 24 VDC, (Others available on request)	<b>Plunger Type:</b>	Slot and cross drilled per drawing standard (Options available per drawing)
<b>Insulation Material:</b>	Class "B" standard (Others available on request)	<b>Plunger Weight:</b>	0.9 ounces standard
<b>Coil Finish:</b>	Acetate tape standard (Also available: varnish dip, glass cloth tape, fungus resistant finish)		
<b>Coil Terminations:</b>	Terminals per drawing standard (Also available: flying leads, bent ter- minals, banded terminals, solder lugs)		

## DC Performance Data



Duty Cycle	Maximum "On" Time	Stroke vs. Force* (inches)	Rated Power (watts)
Continuous	∞	0.0	85.0
		0.2	8.0
		0.4	3.3
		0.6	1.8
10%	24 sec.	0.0	120.0
		0.2	47.0
		0.4	22.0
		0.6	14.0

\* TYPICAL FORCE @ 25°C AND NOMINAL RATED DC VOLTAGE



## JEWELL INSTRUMENTS, LLC

850 PERIMETER ROAD → MANCHESTER, NEW HAMPSHIRE 03103 USA  
 TOLL FREE: 800 227-5955 → TEL: 603 669-6400 → FAX: 603 669-5962  
 EMAIL: sales@jewellinstruments.com → WEB: www.jewellinstruments.com