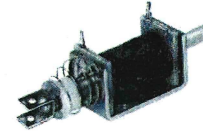


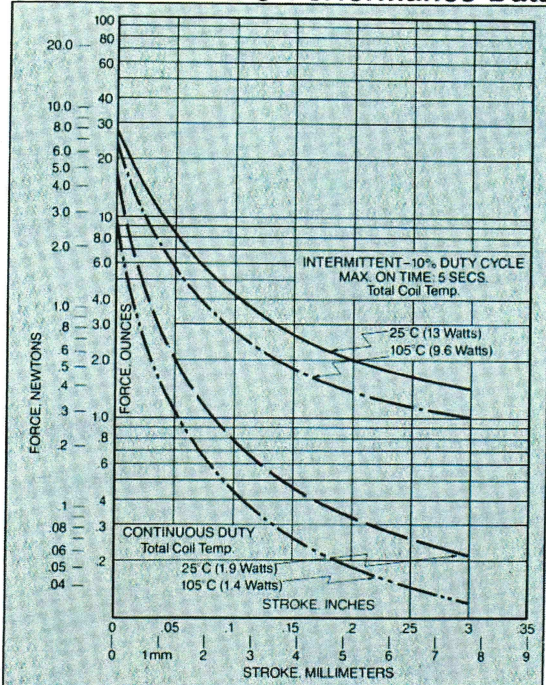
# SAA Solenoid



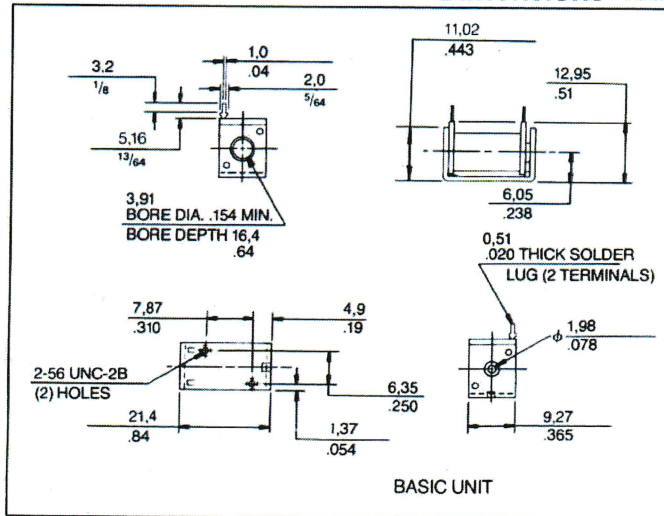
## Specifications

<b>Type of Operation:</b>	Push or pull	<b>Plating Standards:</b>	Frame — Zinc, chromate; Clevis — Zinc; Plunger — Electroplate Nickel; Stop — Electroless Nickel (Others available on request)
<b>Standard Voltages:</b>	6 VDC, 12 VDC, 24 VDC, (Others available on request)	<b>Plunger Type:</b>	Slot and cross drilled per drawing standard (Options available per drawing)
<b>Insulation Material:</b>	Class "B" standard (Others available on request)	<b>Plunger Weight:</b>	0.1 ounces standard
<b>Coil Finish:</b>	Acetate tape standard (Also available: varnish dip, glass cloth tape, fungus resistant finish)		
<b>Coil Terminations:</b>	Terminals per drawing standard (Also available: flying leads, bent terminals, banded terminals, solder lugs)		

## DC Performance Data

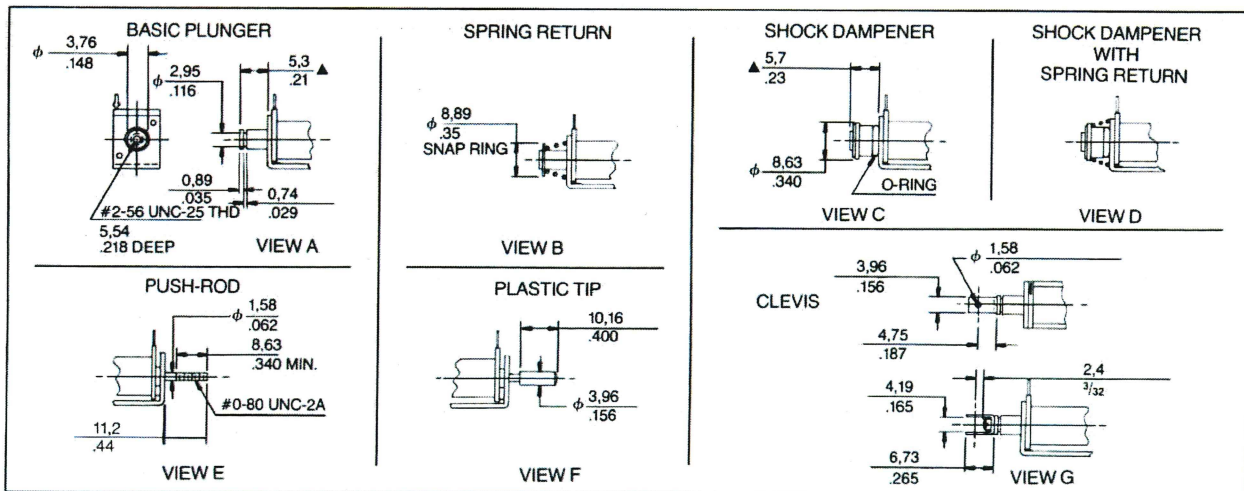


## Dimensions



Duty Cycle	Maximum "On" Time	Stroke (inches)	Force* (ounces)	Rated Power (watts)
Continuous	∞	0.0	14.0	1.9
		0.1	0.75	
		0.2	0.32	
10%	5 sec.	0.0	25.0	13.0
		0.1	4.0	
		0.2	1.95	

\*TYPICAL FORCE @ 25°C AND NOMINAL RATED DC VOLTAGE



▲ ENERGIZED DIM.

## JEWELL INSTRUMENTS, LLC

850 PERIMETER ROAD → MANCHESTER, NEW HAMPSHIRE 03103 USA  
 TOLL FREE: 800 227-5955 → TEL: 603 669-6400 → FAX: 603 669-5962  
 EMAIL: sales@jewellinstruments.com → WEB: www.jewellinstruments.com