

2015 Q1



4" x 6" x 1.38"

Features:

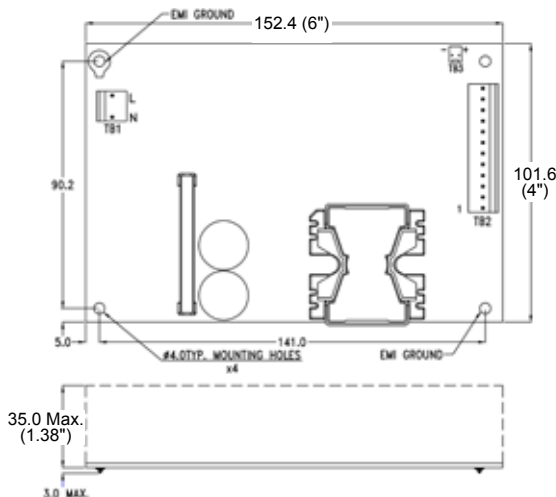
- Design for BF application
- Meet 2 X MOPP and Touch Current < 100uA
- Safety Class II & EMI Class B
- Follow ErP Directive of EU
- High mechanical torque start-up
- With Fan output
- Fan stop while load < 30% rated
- -30°C to +70°C operation
- 5,000m operation altitude
- Convection cooling for rated load
- Forced air for max. load

General Specifications:

Input voltage 90 VAC to 264 VAC
 Input frequency 47 Hz to 63 Hz
 Inrush current < 30/60A at 115/230VAC
 Efficiency 90%
 Hold up time 20ms typical
 Over load/Short circuit protection auto recovery
 Over voltage protection latch off
 Operating temperature -30°C to 70°C
 derating: 2.5% / °C > 50°C for convection cooling
 Storage temperature -40°C to +85°C

Cooling 300W free air convection
 400W 18 CFM forced
 Harmonics.....EN61000-3-2, class D
 EMS..... EN61000-4-2,-3,-4,-5,-6,-8,-11
 Safety UL/CSA/EN60950-1, 2nd edition
 ANSI/AMMI/CSA/EN60601-1, 3rd edition
 CB report, CE mark, RM report/file

Mechanical Specifications:



Notes:

1. Size:
4" x 6" x 1.38"
2. Mounting Hole:
90.2 x 141 (mm)
3. Connectors:
AC input: Molex 5277-02A or equivalent
DC output: Molex 5273-08A or
Terminal blocks or equivalent
Fan: Molex 5045-02A or equivalent
4. Output Pin assignment:

1	2	3	4	5	6	7	8	9	10	11	12
GND	GND	GND	GND	GND	GND	Vo	Vo	Vo	Vo	Vo	Vo

5. Packing:
Net weight: 515 g approx. / unit
Gross weight: 14.5 kg approx. / carton, 24 units / carton
Carton size (mm): 403 (L) x 324 (W) x 277 (H)

-Steven-

10 years Warranty (contact Skynet's Distributors for details)

Output Specifications:

MODEL NO.	OUTPUT RAIL	LOAD				INITIAL ACCURACY	STEP EFFICIENCY			AVERAGE EFFICIENCY
		MIN.	RATED	MAX.	PEAK		@ 20% LOAD	@ 50% LOAD	@ 100% LOAD	
SNP-V307	+12V	0A	25A	33.3A	40A	+11.9V~+12.1V	TBD	TBD	TBD	TBD
SNP-V309	+24V	0A	12.5A	16.7A	20A	+23.9V~+24.1V	TBD	TBD	TBD	TBD

Note:

- Output Load:**
300W for convection cooling; 400W for forced air cooling.
- Peak Load Duration:**
Peak 360W can last for 5 sec.
- Isolation Grade:**
Primary ↔ Ground : 1MOPP (1500Vac)
Primary ↔ Secondary : 2MOPP (4000Vac)
Secondary ↔ Ground : 1MOPP (1500Vac)
- Leakage Current:**
Earth leakage current < 300uA
Touch current < 100uA
- EMI Grounding:**
If there is a metal sheet under the power supply, connect the EMI ground to that metal sheet.