



MODEL NO: \_\_\_\_\_  
 TYPE: \_\_\_\_\_  
 PROJECT: \_\_\_\_\_  
 COMMENTS: \_\_\_\_\_

**INITIAL LUMEN OUTPUT**

650 Lumens

**LAMPS OPERATED\***



(1) 18 or 26 Watt Twin Tube **2-PIN** with integral starter

\*Refer to Lumen Reference Chart for list of compatible lamps

**DESCRIPTION**

The **I-26-EM-A** from IOTA Engineering is a UL Listed fluorescent emergency ballast that allows the same fixture to be used for both normal and emergency operation. In the event of a power failure, the **I-26-EM-A** switches to the emergency mode and operates **one** of the existing lamps for **90 minutes**. The unit contains a battery, charger, and inverter circuit in a single can. The **I-26-EM-A** can be used with most 18 & 26 Watt quad tube **2-pin** compact fluorescent lamps, with an initial output of up to **650 lumens** for one lamp. The **I-26-EM-A** features a dual flex design for connecting wiring to the junction box and test accessories, and is suitable for use in damp locations.

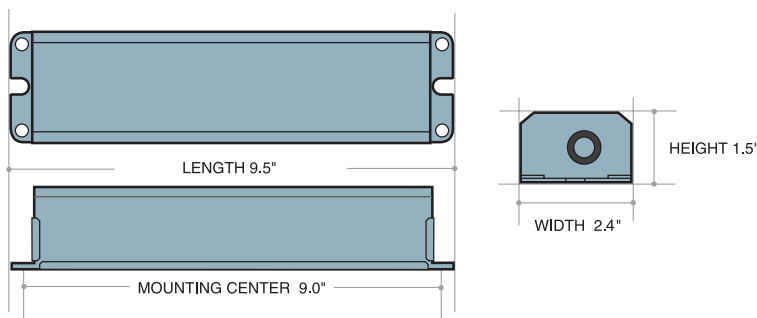
**SPECIFICATIONS**

|                            |   |
|----------------------------|---|
| Input Voltage .....        | (Dual) 120/277V, 60Hz                                       |
| Input Wattage .....        | 3.5 Watts   |
| Lamps Operated .....       | 18 & 26 Watt quad tube<br>2-Pin lamps with integral starter |
| Emergency Operation .....  | 90 minutes  |
| Initial Illumination ..... | (1) lamp 650 lumens   |
| Operating Temp .....       | 0° to 50° C   |
| Battery .....              | 24 Hour Recharge<br>7-10 Year Life Expectancy               |
| Weight .....               | 4.4 lbs.  |
| Approval .....             | UL and CUL Listed   |



**DIMENSIONS**

9.5" x 2.4" x 1.5" (mounting center 9.0")



**FEATURES**

- Will cold start and operate all specified lamps
- Long life high temperature recyclable Ni-Cad battery
- Galvanized steel case
- Includes test switch and charge indicator accessory kit
- For use with switched or unswitched fixtures
- **5-Year Warranty.** See Warranty Page for details.
- Suitable for use in damp locations
- Meets or exceeds all National Electrical Code and Life Safety Code Emergency Lighting Requirements
- International Voltage Models available

FLUORESCENT

LINEAR

SLIM PROFILE

COMPACT

SELF-DIAGNOSTICS

COLD WEATHER

SPECIALTY



# I-26-EM-A

FLUORESCENT EMERGENCY BALLAST FOR 2-PIN LAMPS

## OPTIONS

### TEST KIT CONFIGURATION

- TWO-PIECE TEST SWITCH AND CHARGE INDICATOR

### MOUNTING CONFIGURATION

- EM-A

### VOLTAGE RATINGS

- 120/277V 60HZ (STANDARD)
- 220V 50HZ
- 240V 60HZ
- 120V 50HZ

## INITIAL LUMEN RATINGS

| LAMP            | 1 LAMP |
|-----------------|--------|
| 18W PL CF 2-pin | 550    |
| 26W PL CF 2-pin | 650    |

## REMOTE MOUNTING

When battery packs are remote mounted, consult Customer Service for the maximum allowable distance between the battery pack and lamp(s).