

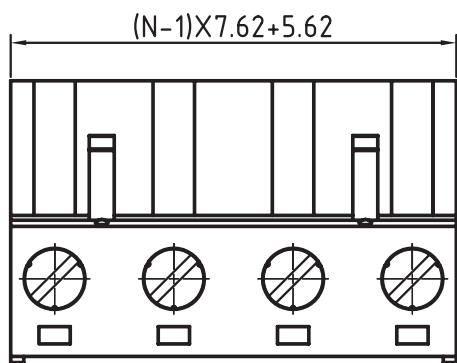
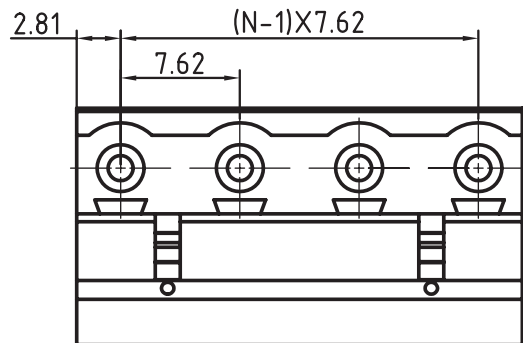
1

2

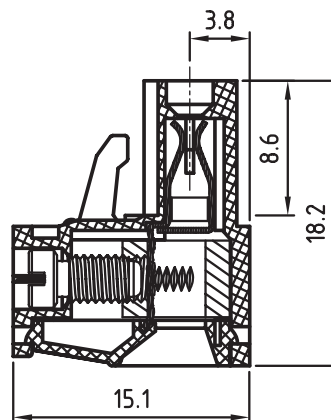
3

4

5



N=Number of contacts



TECHNICAL CHARACTERISTICS

MATERIAL
 INSULATOR: PA 66
 FLAMABILITY RATING: UL94-V0
 COLOR: GREEN
 METAL HOUSING: BRASS (CuZn)
 TERMINAL SCREW: STEEL ZINC PLATING
 TERMINAL SCREW SLOT TYPE: "-"
 WIRE GUARD: PhBz TIN PLATED

ENVIRONMENTAL
 OPERATING TEMPERATURE: -40 UP TO 105°C
 COMPLIANCE: LEAD FREE AND ROHS

ELECTRICAL
 CURRENT RATING: 20A
 WORKING VOLTAGE: 300VAC
 WITHSTANDING VOLTAGE: 1.6KV
 CONTACT RESISTANCE: 20 mOhm max

MECHANICAL
 SOLID WIRE: 24-12 AWG / 0.2-3.0MM²
 STRANDED WIRE: 24-12 AWG / 0.2-3.0MM²
 TORQUE: □ □ 5.0Lb-In / 0.56Nm

WIRE STRIPE LENGTH: 7-8MM
 SCREW: M3.0
 PITCH: 7.62MM

PACKAGING: BOX

SERIE 3514

CERTIFICATION



A

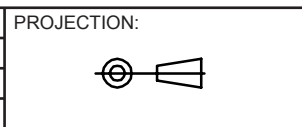
B

C

D

RoHS Compliant

G			
F			
E			
D			
C			
B			
A	05-NOV-08	PDF	JP
REV	DATE	FILE	BY



GENERAL TOLERANCE
 .X = +/- 0.2
 .XX = +/- 0.15

DESCRIPTION: SERIE 3514 - 7.62MM VERTICAL CABLE ENTRY PLUG
 3.0MM² WIRES WR-TBL

APPROVAL: RJ

UNIT: MM
 SCALE:
 SHEET: 1/1
 DRAW: MARVIN

WERI PART NO: 691 351 400 0xx

SIZE
A4