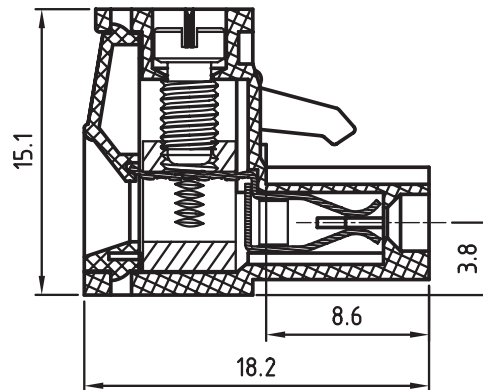


N=Number of contacts



TECHNICAL CHARACTERISTICS

MATERIAL
 INSULATOR: PA 66
 FLAMABILITY RATING: UL94-V0
 COLOR: GREEN
 METAL HOUSING: BRASS (CuZn)
 TERMINAL SCREW: STEEL ZINC PLATING
 TERMINAL SCREW SLOT TYPE: "-"
 WIRE GUARD: PhBz TIN PLATED

ENVIRONMENTAL
 OPERATING TEMPERATURE: -40 UP TO 105°C
 COMPLIANCE: LEAD FREE AND ROHS

ELECTRICAL	cULus	VDE
CURRENT RATING:	12A	20A
WORKING VOLTAGE:	300VAC	300VAC
WITHSTANDING VOLTAGE:	1.6KV	2.5KV
CONTACT RESISTANCE:	20 mOhm max	

STANDARD

CERTIFIED E315414 / MODEL NUMBER 3527
 CERTIFIED 40023195 / MODEL NUMBER 3527

MECHANICAL

SOLID WIRE: 24-12 AWG / 0.2-3.0MM²
 STRANDED WIRE: 24-12 AWG / 0.2-3.0MM²
 TORQUE: 5.0Lb-In / 0.56Nm

WIRE STRIPE LENGTH: 7-8MM
 SCREW: M3.0
 PITCH: 5.00MM

PACKAGING: BOX

SERIE 3527

RoHS Compliant

G			
F			
E			
D			
C	05-NOV-12	V-UL	GG
B	12-OCT-09	STANDARD	JP
A	03-NOV-08	PDF	JP
REV	DATE	FILE	BY

PROJECTION:

GENERAL TOLERANCE
 .X = +/- 0.2
 .XX = +/- 0.15



APPROVAL: RJ

UNIT: MM
 SCALE:
 SHEET: 1/1
 DRAW: MARVIN

DESCRIPTION: SERIE 3527 - 5.00MM VERTICAL CABLE ENTRY PLUG - 3.0MM WIRES WR-TBL
 WERI PART NO: 691 352 710 0xx

SIZE
A4