

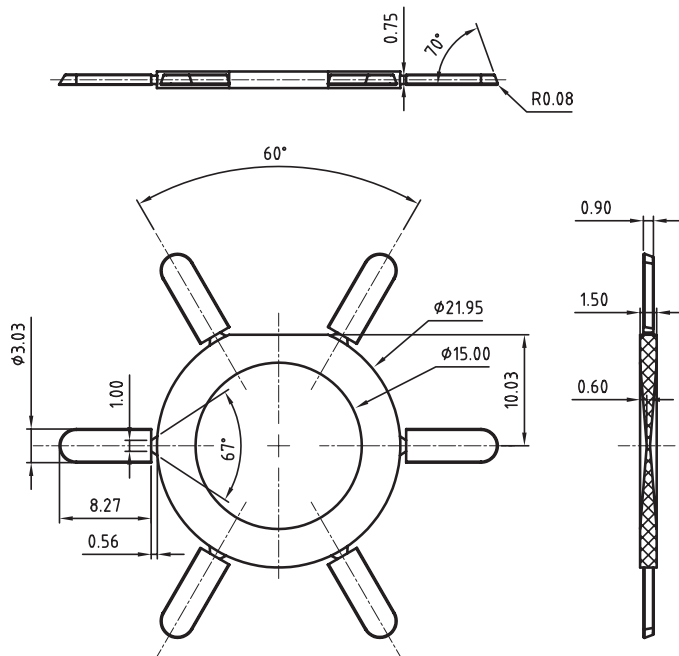
1

2

3

4

5



TECHNICAL CHARACTERISTICS

MATERIAL
 INSULATOR: PA 66
 FLAMABILITY RATING: UL94-V0
 COLOR: RED

ENVIRONMENTAL
 OPERATING TEMPERATURE: -40 UP TO 105°C
 COMPLIANCE: LEAD FREE AND ROHS

MECHANICAL
 APPLICABLE PITCH: 5.00 - 5.08 & 7.62MM

PACKAGING: BOX

INSTRUCTION FOR USE

By using a coding key you avoid any risk of mis-plugging

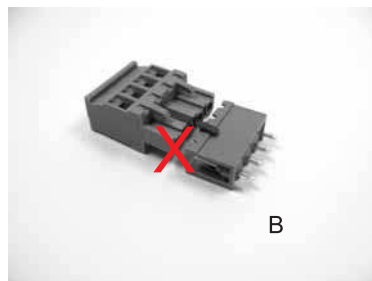
For this you must add/break one part of the:
 - 691 399 900 002 in the PCB connector
 - 691 399 900 001 in the plug

If keys are on different pin n° (on the plug and PCB connector)
 mating remains possible (see photo A)
 If keys are on the same pin ° (on the plug and PCB connector)
 mating becomes not possible anymore (see photo B)

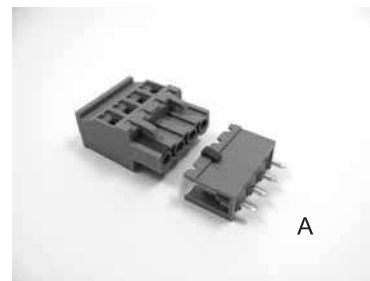
PLUG



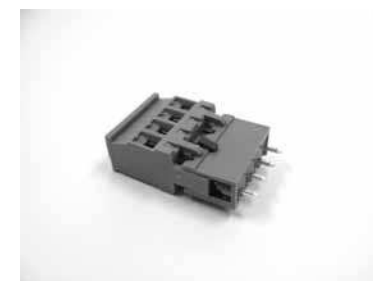
PCB



B

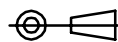


A



RoHS Compliant

PROJECTION:



GENERAL TOLERANCE

.X = +/- 0.2

.XX = +/- 0.15



APPROVAL: RJ

UNIT: MM

SCALE:

SHEET: 1/1

DRAW: MARVIN

DESCRIPTION: CODING KEY FOR 5.00 - 5.08 & 7.62MM PITCH SERIES
 WR-TBL

WERI PART NO: 691 399 900 001

SIZE

A4

G			
F			
E			
D			
C			
B			
A	05-NOV-08	PDF	JP
REV	DATE	FILE	BY