

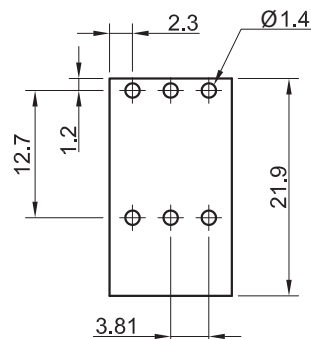
1

2

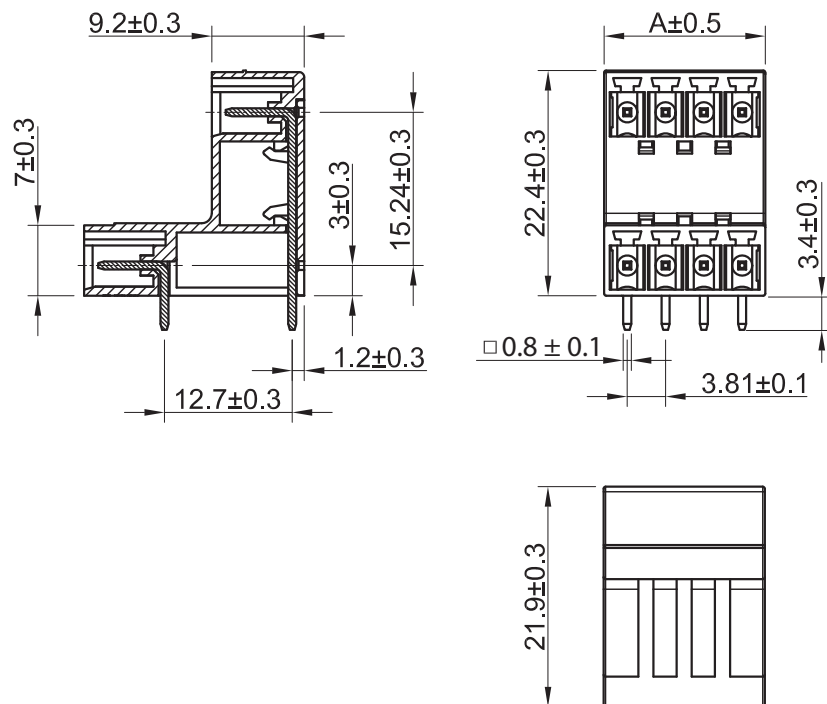
3

4

5



RECOMMENDED PCB LAYOUT - COMPONENT VIEW



## TECHNICAL CHARACTERISTICS

MATERIAL  
 INSULATOR: PA 66  
 FLAMABILITY RATING: UL94-V0  
 COLOR: LIGHT GREEN  
 CONTACT MATERIAL: BRASS (CuZn)  
 PLATING: TIN PLATED

ENVIRONMENTAL  
 OPERATING TEMPERATURE: -40 UP TO 105°C  
 COMPLIANCE: LEAD FREE AND ROHS

ELECTRICAL  
 CURRENT RATING: 10A  
 WORKING VOLTAGE: 300VAC  
 WITHSTANDING VOLTAGE: 2000 V AC/MN  
 INSULATION RESISTANCE: >2000M OHM  
 CONTACT RESISTANCE: 20 mOhm MAX

STANDARD  
 CERTIFIED E315414 / MODEL NUMBER 356B

PITCH: 3.81mm

SOLDERING: WAVE PROCESS ONLY

PACKAGING: BOX

SERIE 356

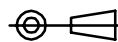
DIMENSIONS

PINS	A
4	8.41
6	12.22
8	16.03
10	19.84
12	23.65
14	27.46
16	31.27

RoHS Compliant

G			
F			
E			
D			
C	29-JUL-13	DWG REVIEW	QL
B	15-MAY-13	UL	JC
A	30-JAN-13	PDF	QL
REV	DATE	FILE	BY

PROJECTION:



APPROVAL: RJ

GENERAL TOLERANCE

.X = +/- 0.2

.XX = +/- 0.15



UNIT: MM

SCALE:

SHEET: 1/1

DRAW: QL

DESCRIPTION: SERIE 356 - 3.81MM DOUBLE LEVEL HORIZONTAL MALE  
 PCB HEADER TYPE WR - TBL

WERI PART NO: 691 356 310 0xxB

SIZE

A4