

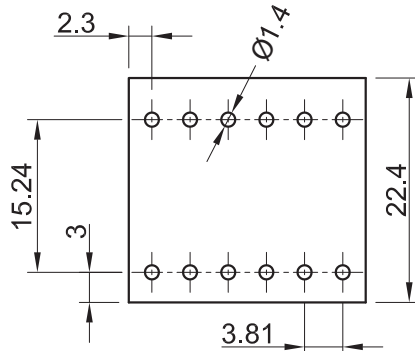
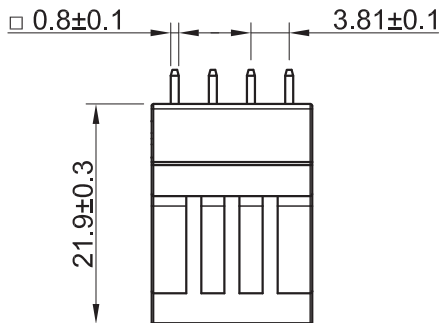
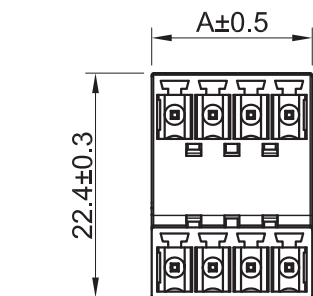
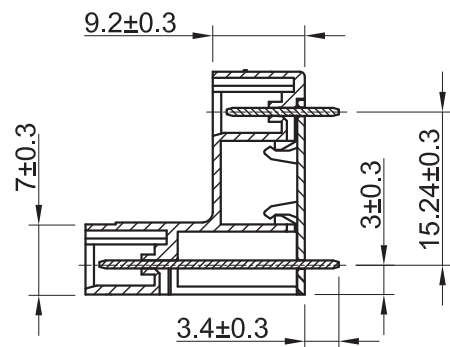
1

2

3

4

5



RECOMMENDED PCB LAYOUT - COMPONENT VIEW

TECHNICAL CHARACTERISTICS

MATERIAL  
 INSULATOR: PA 66  
 FLAMABILITY RATING: UL94-V0  
 COLOR: GREEN  
 CONTACT MATERIAL: BRASS (CuZn)  
 PLATING: TIN PLATED

ENVIRONMENTAL  
 OPERATING TEMPERATURE: -40 UP TO 105°C  
 COMPLIANCE: LEAD FREE AND ROHS

ELECTRICAL  
 CURRENT RATING: 10A  
 WORKING VOLTAGE: 300VAC  
 WITHSTANDING VOLTAGE: 2000 V AC/MN  
 INSULATION RESISTANCE: >2000M OHM  
 CONTACT RESISTANCE: 20 mOhm MAX

STANDARD  
 CERTIFIED E315414 / MODEL NUMBER 356B

PITCH: 3.81mm

SOLDERING: WAVE PROCESS ONLY

PACKAGING: BOX

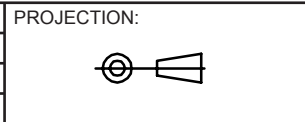
SERIE 356

DIMENSIONS

PINS	A
4	8.41
6	12.22
8	16.03
10	19.84
12	23.65
14	27.46
16	31.27

RoHS Compliant

G			
F			
E			
D			
C	29-JUL-13	DWG REVIEW	QL
B	15-MAY-13	UL	JC
A	30-JAN-13	PDF	QL
REV	DATE	FILE	BY



APPROVAL: RJ

GENERAL TOLERANCE  
 .X = +/- 0.2  
 .XX = +/- 0.15

UNIT: MM  
 SCALE:  
 SHEET: 1/1  
 DRAW: QL



DESCRIPTION: SERIE 356 - 3.81MM DOUBLE LEVEL VERTICAL MALE PCB HEADER TYPE WR - TBL  
 WERI PART NO: 691 356 300 0xxB

SIZE  
**A4**